

**GARMIN®**

# **FORCE® PRO TROLLING MOTOR**

---

**Owner's Manual**

© 2025 Garmin Ltd. or its subsidiaries

All rights reserved. Under the copyright laws, this manual may not be copied, in whole or in part, without the written consent of Garmin. Garmin reserves the right to change or improve its products and to make changes in the content of this manual without obligation to notify any person or organization of such changes or improvements. Go to [www.garmin.com](http://www.garmin.com) for current updates and supplemental information concerning the use of this product.

Garmin®, the Garmin logo, ActiveCaptain®, and Force® are trademarks of Garmin Ltd. or its subsidiaries, registered in the USA and other countries. These trademarks may not be used without the express permission of Garmin.

Wi-Fi® is a registered mark of Wi-Fi Alliance Corporation.

# Table of Contents

<b>Getting Started</b> .....	<b>1</b>	Holding Your Position.....	18
Deploying the Motor from the Stowed Position.....	1	Gesture Controls.....	18
Adjusting the Depth of the Trolling Motor.....	2	Reverse Thrust.....	19
Stowing the Motor from the Deployed Position.....	3	Shifting Between Forward and Reverse Mode.....	19
Securing the Safety Strap.....	4	Waypoints.....	20
Trolling Motor Display Panel.....	5	Creating a Waypoint.....	20
Status Indicator.....	6	Navigating to a Waypoint.....	20
Calibrating the Trolling Motor.....	7	Viewing Waypoint Details.....	20
Setting the Bow Offset.....	7	Editing a Waypoint Name.....	20
Connecting to a Chartplotter.....	8	Deleting a Waypoint.....	20
Connecting to a Mobile Device with the ActiveCaptain® App.....	8	Routes.....	20
Connecting to a Garmin Wearable Device.....	8	Navigating a Route.....	21
<b>Remote Control</b> .....	<b>9</b>	Viewing Route Details.....	21
Remote Control Screen.....	11	Editing a Route Name.....	21
Installing Batteries.....	12	Deleting a Route.....	21
Attaching a Lanyard.....	12	Tracks.....	21
Navigating the Menu.....	12	Saving the Active Track.....	22
Calibrating the Remote Control.....	13	Clearing the Active Track.....	22
Pairing the Remote Control.....	13	Navigating to the Start of the Active Track.....	22
Pairing an Additional Remote Control.....	13	Navigating a Saved Track.....	22
<b>Foot Pedal</b> .....	<b>14</b>	Viewing Saved Track Details.....	22
Installing Batteries.....	15	Editing a Saved Track Name.....	22
Pairing the Foot Pedal.....	15	Deleting a Saved Track.....	22
Status Indicator.....	16	Navigating.....	23
Disabling the Autopilot Buttons on the Foot Pedal.....	16	Pausing and Resuming Navigation..	23
<b>Operation</b> .....	<b>16</b>	Stopping Navigation.....	23
Turning the Propeller On and Off.....	16	Changing the Propeller.....	24
Adjusting the Speed of the Motor....	17	<b>Settings</b> .....	<b>25</b>
Maintaining Your Speed.....	17	Trolling Motor Settings.....	25
Operating the Propeller When Partially Deployed.....	17	Wireless Network Settings.....	25
Steering.....	18	Remote Control Settings.....	26
Steering the Trolling Motor Manually.....	18	Backlight Settings.....	26
Maintaining Your Heading.....	18	<b>Software Updates</b> .....	<b>26</b>
		Updating Software with the ActiveCaptain App.....	27
		<b>Maintenance Needs and Schedule..</b>	<b>28</b>
		Checking and Cleaning the Power Terminals.....	29
		Lubricating the Hinges and Bushings..	30
		Cleaning and Lubricating the Locking Mechanism.....	30

Checking and Replacing the Mount  
Rails..... 32  
Checking and Replacing the Mount  
Bumper..... 33  
Servicing the Anodes..... 33  
    Servicing the Propeller Anode..... 34  
    Servicing the Nose Cone Anode..... 35  
Replacing the Pull Cable..... 35  
Fixing Paint Scratches..... 35

**Motor Information..... 36**

Stowed Dimensions..... 36  
Deployed Dimensions..... 36  
Registering Your Device..... 37

**Specifications..... 38**

Trolling Motor..... 38  
    Motor Thrust and Current-Draw  
    Information..... 39  
Remote Control..... 40  
Foot Pedal..... 40

# Getting Started

## WARNING

See the *Important Safety and Product Information* guide in the product box for product warnings and other important information.

Do not run the motor when the propeller is out of the water. Contact with the rotating propeller may result in severe injury.

Do not use the motor in areas where you or other people in the water may come into contact with the rotating propeller, which could result in severe injury.



You are responsible for the safe and prudent operation of your vessel. The autopilot features on the trolling motor are tools that enhance your capability to operate your boat. They do not relieve you of the responsibility of safely operating your boat. Avoid navigational hazards and never leave the motor controls unattended.

Learn to operate the autopilot features on calm and hazard-free open water.

Use caution when operating the trolling motor near hazards in the water, such as trees, shallow rocks, docks, pilings, and other boats.

Always disconnect the motor from the battery before handling or working with the propeller, propeller drive motor, electrical connections, or electronics enclosures to avoid serious injury or death.

## CAUTION

Always keep the remote control on your person when using the trolling motor. If the operation of the trolling motor needs to be changed or stopped at any time, you can press  on the remote control or on the foot pedal, or press  on the mount to stop the propeller.

When using the autopilot features, be prepared for sudden stops, acceleration, and turns.

When stowing or deploying the motor, be aware of the risk of entrapment or pinching from moving parts, which can result in personal injury.

When stowing or deploying the motor, maintain stable footing and be aware of slick surfaces around the motor. Losing your footing while stowing or deploying the motor may result in injury.

You must always secure the safety strap after stowing the trolling motor to prevent the motor from deploying unexpectedly. An unexpected deployment of the motor may lead to personal injury and damage to your boat and to the trolling motor.

## Deploying the Motor from the Stowed Position

### CAUTION

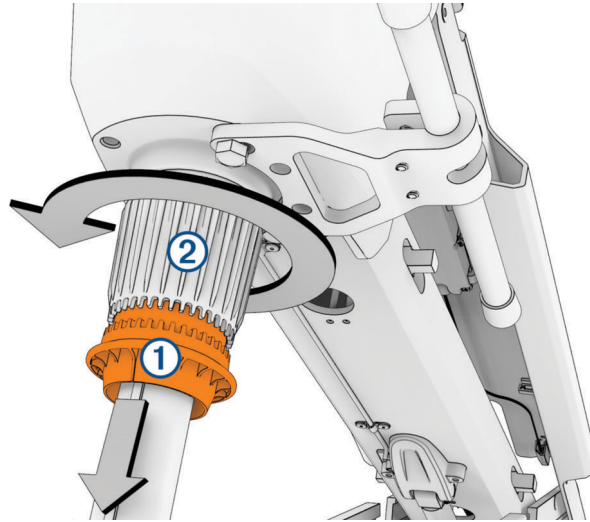
When stowing or deploying the motor, maintain stable footing and be aware of slick surfaces around the motor. Losing your footing while stowing or deploying the motor may result in injury.

When stowing or deploying the motor, be aware of the risk of entrapment or pinching from moving parts, which can result in personal injury.

- 1 Disengage the safety strap.
- 2 Pull the pull-cable back until it stops to release the latch, and continue to hold it tight.
- 3 Lift the motor up and forward using the pull-cable, then lower it slowly into the deployed position.
- 4 If necessary, push down on the mount arm to lock the motor in the deployed position.

## Adjusting the Depth of the Trolling Motor

- 1 Move the motor so that it stops halfway between the stowed and deployed positions.
- 2 Slide the locking ring ① down to unlock the depth adjustment collar.



- 3 Loosen the collar ② to unlock the shaft.  
**NOTE:** You should be prepared for the motor to slide down when you loosen the collar.
- 4 Raise or lower the depth of the trolling motor.
- 5 Tighten the collar at the base of the steering system housing.
- 6 Slide the locking ring on the depth adjustment collar back up.
- 7 Select an action:
  - If you are deploying the trolling motor, move the motor to the fully deployed position and check the depth.
  - If you are stowing the trolling motor, move the motor to the stowed position and make sure the motor rests on the metal rails near the edge of the bow (*Stowing the Motor from the Deployed Position*, page 3).
- 8 Repeat this procedure if necessary to set the correct depth for the deployed or stowed position.

## Stowing the Motor from the Deployed Position

### ⚠ CAUTION

When stowing or deploying the motor, maintain stable footing and be aware of slick surfaces around the motor. Losing your footing while stowing or deploying the motor may result in injury.

When stowing or deploying the motor, be aware of the risk of entrapment or pinching from moving parts, which can result in personal injury.

You must always secure the safety strap after stowing the trolling motor to prevent the motor from deploying unexpectedly. An unexpected deployment of the motor may lead to personal injury and damage to your boat and to the trolling motor.

### NOTICE

You must allow the drive motor to stop rotating completely to one side before moving it to the stowed position. If the motor is still rotating to one side when you move it to the stowed position, it may damage the steering system.

- 1 Holding the handle perpendicular to the pull-cable, pull on the pull-cable to release the latch and lift the motor out of the deployed position.

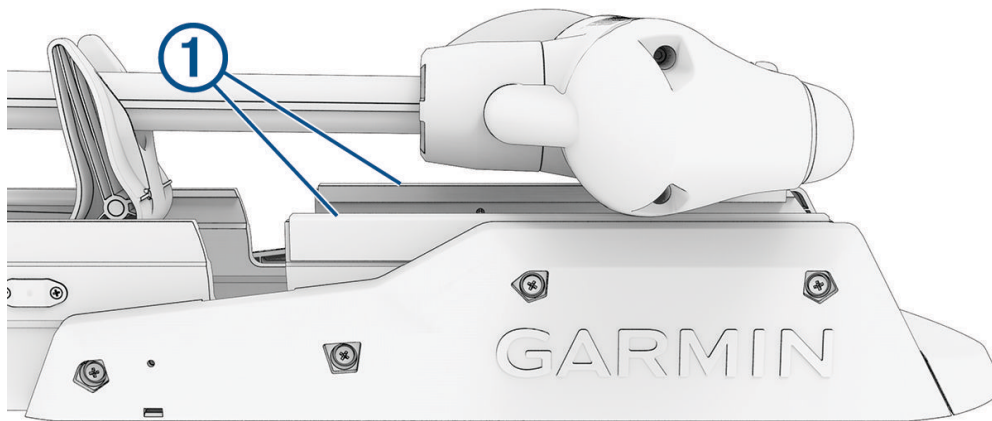
### NOTICE

You must always hold the handle perpendicular to the cable when pulling it to avoid excessive wear that could damage the cable.

- 2 If necessary, adjust the depth of the motor so that it will rest on the rails ① on the mount base ([Adjusting the Depth of the Trolling Motor](#), page 2).

### NOTICE

You must make sure the motor rests solidly on the rails when in the stowed position. If the motor depth is too shallow, it may press on the gas spring. If the motor depth is too deep, it may hang off the end of the mount base. Stowing the motor without resting it on the rails damages the motor.



- 3 If necessary, push down on the steering system housing to lock it in the stowed position.
- 4 Secure the safety strap ([Securing the Safety Strap](#), page 4).

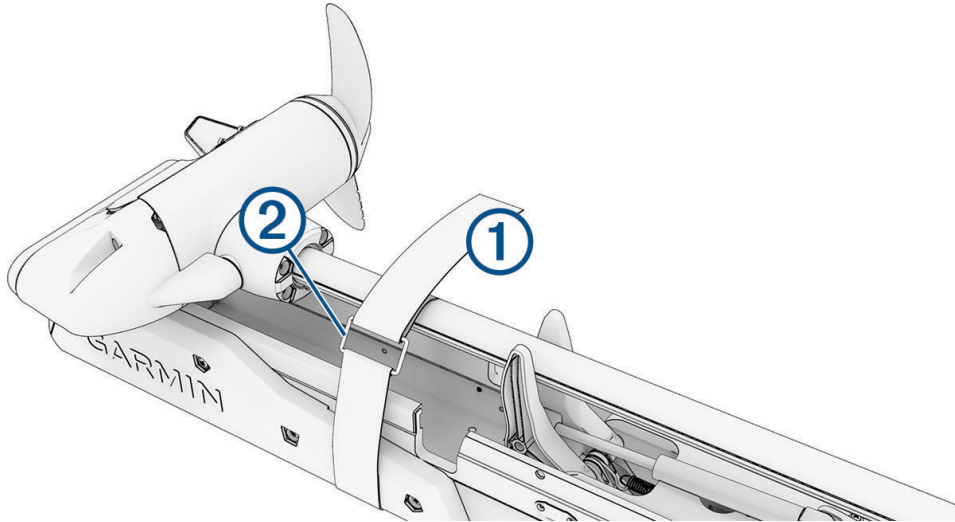
## Securing the Safety Strap

### ⚠ CAUTION

You must always secure the safety strap after stowing the trolling motor to prevent the motor from deploying unexpectedly. An unexpected deployment of the motor may lead to personal injury and damage to your boat and to the trolling motor.

The safety strap holds the motor securely to the base in the stowed position and prevents unintended deployment.

- 1 With the motor in the stowed position, lift the long end of the strap ① over the top of the motor.



- 2 Feed the end of the strap through the buckle ② on the other end of the strap.
- 3 Pull the strap through the buckle until it holds the motor securely to the mount.
- 4 Pull the strap away from the buckle, and push down to fasten it to the other side of the strap.

## Trolling Motor Display Panel









### ⚠ CAUTION

You must keep large metallic objects, such as a tool box, away from the display panel during motor operation. Large metallic objects can interfere with the magnetic compass, affecting the built-in autopilot performance and potentially leading to personal injury or property damage.

The display panel on the trolling motor mount shows important information at a glance.

**NOTE:** The backlight on the display panel reacts to the ambient light, and dims automatically at night.



 Speed	<p>Green: forward thrust speed. Red: reverse thrust speed. The number of bars represents the propeller or cruise control speed (<a href="#">Adjusting the Speed of the Motor, page 17</a>).</p> <p><b>NOTE:</b> The motor may run louder in reverse thrust than in forward thrust.</p>
 Trolling motor battery status	<p>Green: the motor battery voltage level is good. Yellow: the motor battery voltage level is medium. Red: the motor battery voltage level is low. Flashing red: the motor battery voltage level is critically low.</p> <p>Battery level indicators are optimized for lead-acid batteries and may be inaccurate for other types of batteries such as lithium-ion.</p>
 GPS signal status	<p>Green: the motor has a good GPS signal. Yellow: the motor has a poor GPS signal. Red: the motor does not have a GPS signal.</p>
 Motor status	<p>Green: the motor is operating normally. Red (solid): the motor software is starting up. Red (blinking): there is a system error. Blue: the motor is in pairing mode. Yellow: the motor is in recovery mode (for software updates and recovery procedures).</p>
 Power	<p>Press to turn the motor on or off.</p> <p><b>NOTE:</b> By default, the trolling motor turns on automatically when it receives power. It is not necessary to push this button to turn it on. This can be changed in the settings (<a href="#">Trolling Motor Settings, page 25</a>).</p> <p>The trolling motor turns off automatically when it is in the stowed position for two hours.</p> <p>When the propeller is turning, press to stop the propeller. Press three times to enter pairing mode.</p>
 Propeller status	<p>Illuminates when the propeller is active (<a href="#">Turning the Propeller On and Off, page 16</a>).</p>
 Heading hold status	<p>Illuminates when heading hold is active (<a href="#">Maintaining Your Heading, page 18</a>).</p>
 Anchor lock status	<p>Illuminates when anchor lock is active (<a href="#">Holding Your Position, page 18</a>).</p>


## Status Indicator

The  LED indicates the motor status.

Green	Normal operation
Red	Solid: system booting Blinking: system error
Blue	Pairing mode
Yellow	Recovery mode (for software updates and recovery procedures)



## Calibrating the Trolling Motor

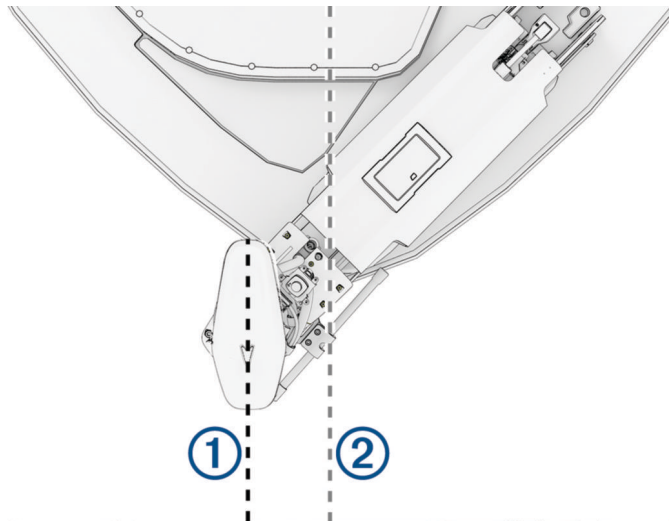
You must calibrate the compass in the trolling motor before you can use the autopilot features. For the best results, you should calibrate the motor on a day with little or no wind on calm water. You can repeat the calibration process if the autopilot features are not performing as expected.





- 1 Drive the boat to an open area of calm water and stop moving.  
The boat must be stationary to begin the calibration process.
- 2 Make sure the trolling motor is deployed (*Deploying the Motor from the Stowed Position*, page 1).
- 3 On the remote control, select  > **Settings** > **Trolling Motor** > **Calibrate** > **Compass**.
- 4 Using a foot pedal, remote control, or outboard motor to steer, follow the on-screen instructions to calibrate the compass.

## Setting the Bow Offset

Based on the installation angle, the trolling motor may not align with the center line of your boat. For the best results, you should set the bow offset.

- 1 Using the remote control, adjust the angle of the trolling motor  so it aligns with the center line of your boat , pointing straight forward.





- 2 On the remote control, select  > **Settings** > **Trolling Motor** > **Calibrate** > **Bow Offset**.
- 3 Press  or  to adjust the bow offset.
- 4 Press  to set the bow offset.
- 5 Repeat this procedure if necessary.

## Connecting to a Chartplotter


Your compatible Garmin® chartplotter must have the latest software version installed before you can connect the trolling motor.

You can connect the trolling motor wirelessly to a compatible Garmin chartplotter on your boat. After you connect to a compatible chartplotter, you can control the trolling motor from the chartplotter in addition to the remote control and foot pedal.

- 1 Turn on the chartplotter and the trolling motor.
- 2 Make sure that the chartplotter is hosting a wireless network.  
**NOTE:** If you have multiple chartplotters installed, only one is the wireless network host. Consult your chartplotter's owner's manual for more information.
- 3 On the chartplotter, select **Settings > Communications > Wireless Devices > Garmin Trolling Motor > Start**.
- 4 On the trolling motor display panel, press  three times to enter pairing mode.  
 on the trolling motor display panel illuminates blue as it searches for a connection to the chartplotter, and changes to green when the connection is successful.  
A confirmation message appears on the chartplotter when the connection is successful.
- 5 After the chartplotter and trolling motor connect successfully, enable the trolling motor bar on the chartplotter to control the motor.  
See the latest version of your chartplotter's owner's manual for complete operation instructions.

## Connecting to a Mobile Device with the ActiveCaptain® App



You can connect a mobile device to the trolling motor using the ActiveCaptain app. The app provides a quick and easy way for you to interact with your trolling motor and update the device software.

- 1 On the remote control, select  > **Settings > Trolling Motor > Wi-Fi > Mode > ActiveCaptain > Setup**.
- 2 Enter a name and password for this network.
- 3 From the application store on your mobile device, install and open the ActiveCaptain app.
- 4 Bring the mobile device near the trolling motor.
- 5 From your mobile device settings, open the Wi-Fi® connections page and connect to the trolling motor, using the name and password you entered in the previous step.

## Connecting to a Garmin Wearable Device

You can connect the trolling motor wirelessly to a compatible Garmin wearable device, and control the trolling motor using the Trolling Motor app on the wearable.


















The first time you connect the trolling motor to your wearable, you must pair the wearable and the motor. After they are paired, the wearable connects to the motor automatically when the motor is powered on and within range.

- 1 Make sure the trolling motor is powered on and a remote control is connected to it.
- 2 Bring your compatible Garmin wearable within 3 m (10 ft.) of the trolling motor.
- 3 On the wearable, hold **MENU**.
- 4 Select **Sensors & Accessories > Add New > Trolling Motor**.
- 5 On the trolling motor display panel, press  three times to enter pairing mode.  
 on the trolling motor display panel is solid blue as it searches for a connection, and changes to solid green when the connection is successful.
- 6 Confirm the pairing code shown on the wearable and on the connected remote control.

You can press **START** and select **Trolling Motor** from the list of activities and apps to open the trolling motor controls.

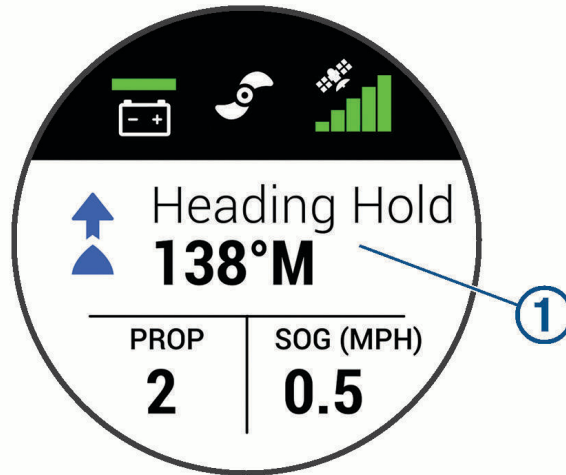
# Remote Control







Button	Description
	Hold to turn the remote control on and off.
	Press to turn on and set cruise control at the current speed over ground (SOG) ( <i>Maintaining Your Speed, page 17</i> ). Press again to disable cruise control and return to manual speed control.
	Press twice to turn on the propeller and set it to full speed. Press again to return to the previous speed and propeller state.
	Press for manual control ( <i>Steering the Trolling Motor Manually, page 18</i> ). Hold to steer using gestures ( <i>Using Gesture Controls to Steer, page 19</i> ).
	Press once to turn the propeller on or off ( <i>Turning the Propeller On and Off, page 16</i> ). Press twice to turn off any autopilot function (if enabled), stop the propeller, and shift between forward and reverse thrust ( <i>Reverse Thrust, page 19</i> ).
	Press to navigate the menu ( <i>Navigating the Menu, page 12</i> ).  When in the menu, press  to select a menu item, and press  to go back without saving. When in anchor lock, press to jog the anchor lock position forward, backward, left, or right in 1.5 m (5 ft.) increments.  When in heading hold or manual control, press  and  for single-degree step turns, or hold for steering in five-degree increments.  Press  and  for incremental speed changes, or hold for continuous speed changes.  When your speed is set to zero, press  to shift into reverse ( <i>Reverse Thrust, page 19</i> ).
	Press to turn on heading hold. Heading hold uses the trolling motor to maintain your current heading ( <i>Maintaining Your Heading, page 18</i> ). Press again to turn off heading hold, stop the propeller, and resume manual control. Hold to set the heading hold by pointing the remote ( <i>Using Gesture Controls to Adjust the Heading Hold, page 19</i> ).
	Press to turn on anchor lock. Anchor lock uses the trolling motor to hold your position ( <i>Holding Your Position, page 18</i> ). Press again to turn off anchor lock and return to the previous steering mode. Hold to jog the anchor lock position by pointing the remote ( <i>Using Gesture Controls to Adjust Your Held Position, page 19</i> ).
	Press to open the menu. Press to exit the menu.
	Press to mark a waypoint.
1 through 4	Press to open the shortcut for the Garmin chartplotter assigned to the button. <sup>1</sup>

<sup>1</sup> Requires a connection to a compatible Garmin chartplotter. See your chartplotter owner's manual for instructions.

## Remote Control Screen



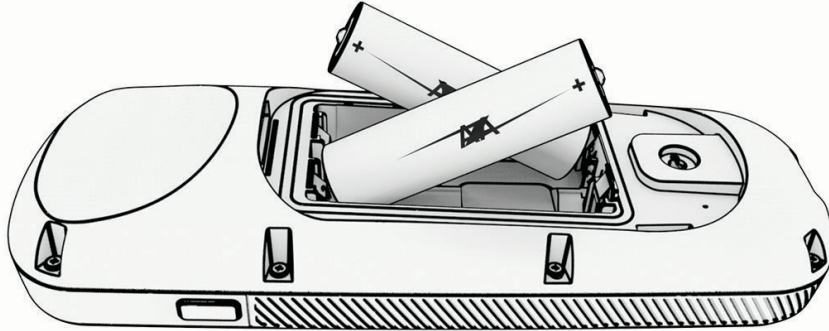
①	<p>Shows the operational status of the trolling motor. For example, when in manual control, Manual is shown, and when the heading hold is on, Heading Hold is shown, along with the heading-hold set point in degrees.</p>
	<p>Shows the trolling motor battery status. Green: the motor battery voltage level is good. Yellow: the motor battery voltage level is medium. Red: the motor battery voltage level is low. Flashing red: the motor battery voltage level is critically low. <b>TIP:</b> You can change the appearance of the trolling motor battery status so that it shows a numeric voltage instead of an icon (<a href="#">Trolling Motor Settings, page 25</a>). You can view the remote control battery level by pressing .</p>
	<p>Shows the status of the propeller. White and rotating: the propeller is providing a forward thrust. Red and rotating: the propeller is providing a reverse thrust.<sup>2</sup> Not rotating: the propeller is on with the speed set to zero. Not shown: the propeller is off.</p>
	<p>Shows the GPS signal strength of the trolling motor.</p>
PROP	<p>Shows the speed level of the propeller (<a href="#">Adjusting the Speed of the Motor, page 17</a>). When the propeller is actively providing a reverse thrust, the speed level is shown in red.<sup>2</sup> <b>NOTE:</b> The propeller speed is not shown when the motor is using cruise control.</p>
SOG	<p>Shows the measured speed over ground (SOG).</p>

<sup>2</sup> The motor may run louder in reverse thrust than in forward thrust.

## Installing Batteries

The remote control operates using two AA batteries (not included). Use lithium batteries for best results.

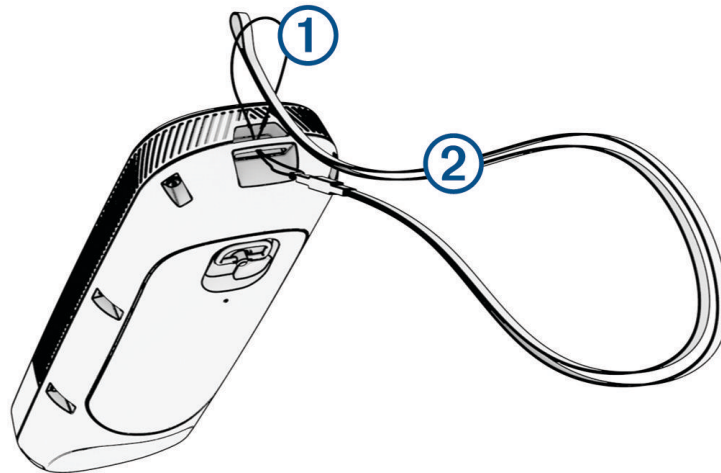
- 1 Turn the D-ring counter-clockwise, and pull up to remove the cover.
- 2 Insert two AA batteries, observing polarity.



- 3 Replace the battery cover, and turn the D-ring clockwise.

## Attaching a Lanyard








- 1 Starting from the back of the remote control, insert the loop of the lanyard ① through the slot.



- 2 Thread the other end of the lanyard ② through the loop, and pull it tight.
- 3 If necessary, place the lanyard around your neck or wrist to tether it during use.

## Navigating the Menu

You can use the menu and arrow keys to navigate the menu on the remote control.


- To open the menu, press .
- To move between different menu items, press  and .
- To select a menu item, press .
- To move back to a previous menu item, press .
- To exit the menu, press  or press  repeatedly until you reach the main screen.

## Calibrating the Remote Control

### NOTICE





Calibrate the electronic compass outdoors. To improve heading accuracy, do not stand near objects that influence magnetic fields, such as vehicles, buildings, and overhead power lines.

You must calibrate the compass in the remote control before you can control the motor using gestures. If the gesture controls are not working properly after calibration, you can repeat this process as often as needed.

- 1 Select  > **Settings** > **Remote Control** > **Calibrate**.
- 2 Select **Start**, and follow the on-screen instructions.

## Pairing the Remote Control




The remote control is paired with the trolling motor at the factory, but you may need to pair them again if the connection is broken.

- 1 Turn on the trolling motor.
- 2 On the trolling motor display panel, press  three times to enter pairing mode.  
 on the trolling motor display panel illuminates blue as it searches for a connection.
- 3 Bring the remote control within 1 m (3 ft.) of the display panel on the trolling motor.
- 4 Turn on the remote control.
- 5 On the remote control, select  > **Settings** > **Remote Control** > **Pair** > **Start**.  
 on the trolling motor display panel illuminates green when the connection is successful.

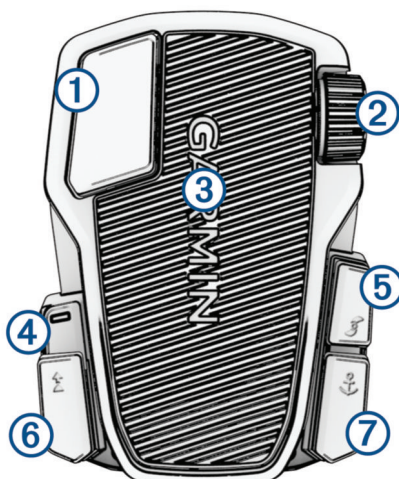
## Pairing an Additional Remote Control




After you have connected the first remote control, you can use it to pair a second remote control.

In addition to a foot pedal, a wearable, and a chartplotter, you can have up to two remote controls connected to your trolling motor at the same time.

- 1 Turn on the trolling motor.
- 2 On an already paired remote control, select  > **Settings** > **Remote Control** > **Add Additional Remote**.  
The trolling motor display panel illuminates blue when the it is ready to pair.
- 3 Bring the additional remote control within 1 m (3 ft.) of the display panel on the trolling motor.
- 4 Turn on the additional remote control.
- 5 On the additional remote control, select  > **Settings** > **Remote Control** > **Pair** > **Start**.  
 on the trolling motor display panel illuminates green when the connection is successful. Device Found is shown on the original remote control, and Connected is shown on the additional remote control.

## Foot Pedal

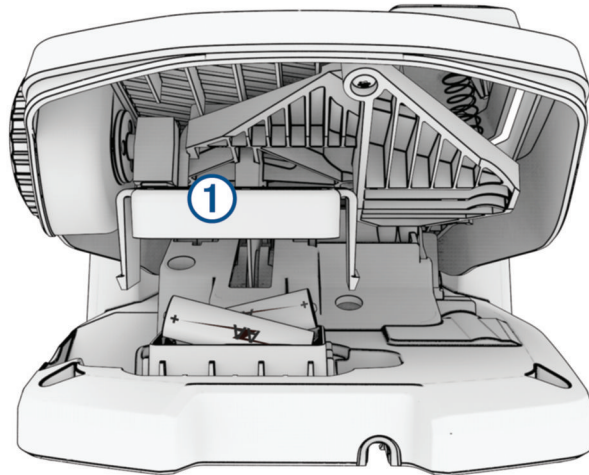


①	Momentary propeller control	Hold to turn on the propeller at the set speed. Release to turn off the propeller.
②	Speed wheel	Rotate the wheel away from you to increase the propeller speed or cruise control speed. Rotate the wheel toward you to decrease the propeller speed or cruise control speed. <b>NOTE:</b> The speed wheel is inactive when anchor lock is on.
③	Steering pedal	Push the pedal with your toes to turn the motor clockwise. Push the pedal with your heel to turn the motor counter-clockwise. <b>NOTE:</b> When anchor lock or heading hold is on, or you are following a route, tilt the pedal or press a button to resume manual control at the previous propeller speed.
④	Status LED	Shows the status of the foot pedal ( <i>Status Indicator</i> , page 16).
⑤	 Continuous propeller control	Press once to turn the propeller on or off ( <i>Turning the Propeller On and Off</i> , page 16). Press twice to turn off any autopilot function (if enabled), stop the propeller, and shift between forward and reverse thrust ( <i>Reverse Thrust</i> , page 19).
⑥	 Heading hold	Press once to set and maintain the current heading ( <i>Maintaining Your Heading</i> , page 18). Press again to turn off heading hold, stop the propeller, and resume manual control. Press twice to turn off any autopilot function (if enabled), stop the propeller, and shift between forward and reverse thrust ( <i>Reverse Thrust</i> , page 19). <b>TIP:</b> You can disable this button by pressing it six times. You can press it six times again to re-enable it.
⑦	 Anchor lock	Press to turn on anchor lock. Anchor lock uses the trolling motor to hold your position ( <i>Holding Your Position</i> , page 18). Press again to turn off anchor lock and return to the previous steering mode. <b>TIP:</b> You can disable this button by pressing it six times. You can press it six times again to re-enable it.

## Installing Batteries

The foot pedal can operate using two AA alkaline, NiMH, or lithium batteries (not included). Use lithium batteries for best results.





- 1 Lift up the front of the foot pedal as far as possible.
- 2 Pinch the sides of the battery cover ①, and pull up to remove it.




- 3 Insert two AA batteries, observing polarity.
- 4 Place the battery cover over the batteries, and push down until both sides snap into place.

## Pairing the Foot Pedal

The foot pedal is paired with the trolling motor at the factory, but you may need to pair them again if the connection is broken.

- 1 Turn on the trolling motor.
- 2 On the trolling motor display panel, press  three times to enter pairing mode.  
 on the trolling motor display panel illuminates blue as it searches for a connection.
- 3 Bring the foot pedal within 1 m (3 ft.) of the display panel on the trolling motor.
- 4 Connect the foot pedal to power using the power cable, or insert batteries to turn it on.
- 5 Within 30 seconds of turning on the foot pedal, hold  until the status LED on the foot pedal illuminates blue.
- 6 Release .

The status LED on the foot pedal illuminates blue as it searches for a connection, then turns off when it pairs successfully with the trolling motor.

 on the trolling motor display panel changes to green when the connection is successful.

## Status Indicator

The LED on the foot pedal indicates the foot pedal status.

Illuminates green	The foot pedal is powering on.
Illuminates and flashes blue	The foot pedal is pairing. The LED turns off when it connects to the trolling motor or the pairing process times out without connecting.
Flashes green when pushing a button	The foot pedal is connected to the trolling motor and sending a command for the button being pushed.
Flashes red when pushing a button	The foot pedal is not connected to the trolling motor.
Off	The LED turns off when the pedal is connected to the trolling motor and not sending commands. This prolongs battery life.

## Disabling the Autopilot Buttons on the Foot Pedal

Before you can disable or re-enable the autopilot buttons on the foot pedal, you must make sure the foot pedal has power.

You can individually disable the heading hold button (↑) and the anchor lock button (⚓) on the foot pedal to avoid accidentally engaging them.

Quickly press the button six times to disable it.

The status LED turns red for 1 second to indicate that the button is disabled.

**TIP:** To enable the button again, quickly press it six times. The status LED turns green for one second to indicate that the button is enabled.

## Operation

You can use the remote control, the foot pedal, a compatible Garmin chartplotter, a compatible Garmin wearable, or a combination of these devices to operate the trolling motor.

In general, most of the instructions provided for the remote control also apply to a connected chartplotter. For specific chartplotter instructions, see the latest owner's manual for your chartplotter.

**NOTE:** Some features available when using the remote control and chartplotter are not available when using the foot pedal only.

## Turning the Propeller On and Off

### WARNING

Do not use the motor in areas where you or other people in the water may come into contact with the rotating propeller, which could result in severe injury.

Do not run the motor when the propeller is out of the water. Contact with the rotating propeller may result in severe injury.

1 If necessary, deploy the trolling motor (*Deploying the Motor from the Stowed Position, page 1*).




**NOTE:** The propeller cannot turn on when the trolling motor is in the stowed position.

2 On the remote control or foot pedal, press  to turn on the propeller.

3 Press  to turn off the propeller.

## Adjusting the Speed of the Motor

You can adjust the speed of the trolling motor using the remote control or the foot pedal.




- 1 If necessary, press  on the remote control, or steer with the foot pedal, to enter manual mode.
- 2 Select an option:
  - On the remote control, press  and  to increase and decrease the speed of the motor.
  - On the foot pedal, rotate the speed wheel away from you and toward you to increase and decrease the speed of the motor.

The PROP field on the remote control and the bars on the display panel indicate the propeller speed (*Trolling Motor Display Panel, page 5*).

- 3 If necessary, turn on the propeller (*Turning the Propeller On and Off, page 16*).

The propeller speed you selected is retained if the propeller is turned off or if you start another function of the motor such as cruise control or anchor lock.

## Toggling Full Speed


- 1 On the remote control, press  twice.  
The trolling motor propeller speed quickly increases to full speed.
- 2 Press  to return to the previous propeller speed.  
**TIP:** When at full speed, you can press  on the remote control to slowly decrease the propeller speed.

## Maintaining Your Speed


Before you can use the cruise control feature, you must calibrate the trolling motor (*Calibrating the Trolling Motor, page 7*).

The cruise control feature is an autopilot function that sets and maintains a specific speed over ground, adjusting for changes in current and wind automatically.

**NOTE:** You can enable the cruise control feature from the remote control only, but can control the speed and direction from both the remote control and foot pedal.

- 1 On the remote control, press .  
Cruise control is enabled at the present speed.
- 2 Using the remote control or foot pedal, adjust the speed as needed.
- 3 Using the remote control or foot pedal, adjust the heading as needed.

**TIP:** You can use cruise control to set the speed while using the heading hold feature (*Maintaining Your Heading, page 18*) or following a route (*Navigating a Route, page 21*).

To disable cruise control and turn off the propeller, you must press .

## Operating the Propeller When Partially Deployed

You can operate the trolling motor propeller with the motor only partially deployed for specific situations, such as when you pass over weeds or submerged obstacles.

- 1 With the trolling motor in the deployed position, pull the pull-cable up until it stops to release the latch, and continue to hold it tight.
- 2 Lift the pull-cable up and backward to lift the motor slowly until it is in position to pass over the weeds or obstacle.  
The propeller stops rotating, and the motor turns to the side.
- 3 Use the remote control or foot pedal to turn on the propeller, and steer the motor as needed.  
**NOTE:** If you raise the motor beyond the halfway point, the propeller automatically stops as a safety measure, but the motor does not turn to the side.
- 4 When you are past the obstacle, slowly lower the motor to the deployed position, or raise the motor to the stowed position.


After operating the motor when partially deployed, you may need to turn the motor to one side manually before raising it to the stowed position so it rests properly on the mount rails.

## Steering


### Steering the Trolling Motor Manually

Manual mode is the default operational mode of the trolling motor. In manual mode, you can adjust the direction and speed of the trolling motor as needed.

**NOTE:** The trolling motor is in manual mode by default when you turn it on.

1 If necessary, on the remote control, select .

2 Select an action:

- Using the remote control, press  and  to steer.

**NOTE:** You can also use gesture controls to steer the boat manually using the remote control (*Using Gesture Controls to Steer*, page 19).

- Using the foot pedal, push the pedal with your toes and heel to steer.



### Maintaining Your Heading

Before you can use the Heading Hold feature, you must calibrate the trolling motor (*Calibrating the Trolling Motor*, page 7).

You can activate Heading Hold to keep your boat moving in the same compass direction. The motor may adjust your heading automatically to compensate for drift caused by factors such as wind and currents.

1 Steer the boat in the direction you want to go.

2 On the remote control or foot pedal, select .

**NOTE:** You can adjust the direction by pressing  and , or by using gesture controls (*Using Gesture Controls to Adjust the Heading Hold*, page 19).

To disable Heading Hold and return to manual mode, you must select , , or step on the foot pedal.

### Changing the Heading Hold Behavior

By default, the Heading Hold feature may adjust your heading to compensate for drift and keep your boat moving in the same direction. If preferred, you can configure the Heading Hold feature to ignore drift and simply keep the bow of your boat pointing in the same direction.

1 On the remote control, select  > **Settings** > **Trolling Motor** > **Heading Hold**.

2 Select **Vessel Align**.


You can select Go To to revert back to the default Heading Hold mode.

### Holding Your Position

Before you can use the anchor lock feature, you must calibrate the trolling motor (*Calibrating the Trolling Motor*, page 7).

The anchor lock feature is an autopilot function that uses GPS to set and maintain your position using the trolling motor, acting as if you deployed a physical anchor.

1 If necessary, drive the boat to a location you want to set the anchor lock.

2 On the remote control or foot pedal, select .

**NOTE:** You can adjust the anchor lock position 1.5 m (5 ft.) by pressing an arrow key on the remote control, or by using gesture controls (*Using Gesture Controls to Adjust Your Held Position*, page 19).




To disable anchor lock, you can press  again, or steer with the foot pedal.

### Gesture Controls

You can point or move the remote control to interact with the trolling motor. You must calibrate the compass in the trolling motor (*Calibrating the Trolling Motor*, page 7), and the compass in the remote control (*Calibrating the Remote Control*, page 13) before you can use gesture controls.



## Using Gesture Controls to Steer

You can steer the motor by pointing the remote control.

- 1 If necessary, turn on the propeller (*Turning the Propeller On and Off, page 16*).
- 2 Hold .
- 3 While holding , point the remote control to the left or right to steer port or starboard.
- 4 Release  to stop steering.



## Using Gesture Controls to Adjust the Heading Hold

You can move the remote control to adjust your heading hold (*Maintaining Your Heading, page 18*).

- 1 If necessary, turn on the propeller (*Turning the Propeller On and Off, page 16*).
- 2 Hold .
- 3 Point the remote control toward where you want to adjust the heading.
- 4 Release  to set the heading direction.

## Using Gesture Controls to Adjust Your Held Position

You can move the remote control to adjust your position when using the anchor lock feature (*Holding Your Position, page 18*).

- 1 Hold .
- 2 Point the remote control in the direction you want to move your position.  
Your position jogs 1.5 m (5 ft.) in the direction you point.
- 3 Release .
- 4 Repeat this procedure until the you are in the position you want.

## Reverse Thrust




In manual mode, you can run the propeller in reverse. Running the propeller in reverse for short periods of time can be useful in some situations, such as backing out of a tight space with less steering of the motor.

Because the propeller on the trolling motor is designed primarily for forward thrust, it is less efficient at creating reverse thrust, resulting in more noise from the motor, especially at higher propeller speeds, and more turbulence underwater.

### NOTICE

You should use reverse thrust sparingly to minimize cavitation and excessive wear on the propeller and the propeller drive motor.

## Shifting Between Forward and Reverse Mode

- Select an option:
  - On the remote control, press  twice.
  - On the foot pedal, press  or  twice.

The speed level on the remote control screen and the speed bars on the trolling motor display panel are shown in red while the motor is in reverse mode.

**NOTE:** When shifting between forward and reverse mode, the propeller speed is automatically set to the last speed you used in the same thrust mode. Shifting between forward and reverse thrust automatically turns the propeller off. Shifting between forward and reverse thrust while in an autopilot mode automatically reverts the motor to manual mode.

## Waypoints


Waypoints are used to mark locations so you can return to them later. The trolling motor can store up to 5000 waypoints.

When the trolling motor is connected to a chartplotter, the waypoints stored on the trolling motor and on the chartplotter are automatically synchronized.


**NOTE:** To prevent unintentional data loss, when you delete waypoints, restore default settings, or clear user data using the trolling motor remote, the waypoints on the chartplotter are not deleted. However, if you delete a waypoint from the chartplotter, it is automatically deleted from the trolling motor.

### Creating a Waypoint


You can save your current location as a waypoint.

- 1 If necessary, drive to a location you want to save as a waypoint.
- 2 On the remote control, press .


### Navigating to a Waypoint

- 1 On the remote control, select  > **Waypoints**.  
A list of the ten closest waypoints is shown.
- 2 Select a waypoint.
- 3 Select **Navigate To**.
- 4 Turn on the propeller (*Turning the Propeller On and Off*, page 16).  
The trolling motor drives to the waypoint location (*Navigating*, page 23).


### Viewing Waypoint Details

- 1 On the remote control, select  > **Waypoints**.  
A list of the ten closest waypoints is shown.
- 2 Select a waypoint.
- 3 Select **Review**.

### Editing a Waypoint Name

- 1 On the remote control, select  > **Waypoints**.  
A list of the ten closest waypoints is shown.
- 2 Select a waypoint.
- 3 Select **Edit**.
- 4 Enter a new name for the waypoint.

### Deleting a Waypoint

- 1 On the remote control, select  > **Waypoints**.  
A list of the ten closest waypoints is shown.
- 2 Select a waypoint.
- 3 Select **Delete**.

## Routes

A route is a sequence of locations that leads you to your final destination.

When you connect the trolling motor to a chartplotter, the routes stored on the chartplotter are synchronized with the routes stored on the trolling motor. Deleting or editing routes on one device automatically changes the routes stored on the other device. You can create routes on the chartplotter only.

You can save up to 100 routes.

## Navigating a Route

- 1 On the remote control, select  > **Routes**.

A list of the ten closest routes is shown.

- 2 Select a route.

- 3 Select **Navigate To**.

- 4 Select an option:

- To navigate the route from the starting point used when the route was created, select **Forward**.
- To navigate the route from the destination point used when the route was created, select **Backward**.
- To navigate from your current location to the beginning of the route, then navigate the route, select **From Start**.

- 5 Turn on the propeller (*Turning the Propeller On and Off*, page 16).

The trolling motor drives along the route in the chosen direction (*Navigating*, page 23).

As you approach the end of the route, by default, the trolling motor switches to the anchor lock feature and holds position at the end of the route. You can change this behavior in the settings (*Trolling Motor Settings*, page 25).

## Viewing Route Details

- 1 On the remote control, select  > **Routes**.

A list of the ten closest routes is shown.

- 2 Select a route.

- 3 Select **Review**.

## Editing a Route Name

- 1 On the remote control, select  > **Routes**.

A list of the ten closest routes is shown.

- 2 Select a route.

- 3 Select **Edit**.

- 4 Enter a new name for the route.

## Deleting a Route

- 1 On the remote control, select  > **Routes**.

A list of the ten closest routes is shown.

- 2 Select a route.

- 3 Select **Delete**.

## Tracks

A track is a recording of the path of your boat. The track currently being recorded is called the active track, and it can be saved. You can save up to 50 tracks.

When you connect the trolling motor to a chartplotter, the active track and saved tracks stored on the chartplotter are synchronized with the active track and saved tracks stored on the trolling motor. Adding, deleting, or editing active and saved tracks on one device automatically changes the active and saved tracks stored on the other device.

## Saving the Active Track

The track currently being recorded is called the active track. You can save the active track and navigate it later. You can save up to 50 tracks on the trolling motor.

- 1 On the remote control, select  > **Tracks** > **Save Active Track**.

The active track is saved with the current date as the track name.

- 2 Change the name for the saved track (optional).

## Clearing the Active Track

Select  > **Tracks** > **Clear Active Track**.

The track memory is cleared, and the active track continues to be recorded.

## Navigating to the Start of the Active Track

The track currently being recorded is called the active track. You can navigate from your current position back to the starting point of the active track along the path you traveled.

- 1 Select  > **Tracks** > **Backtrack**.

- 2 Turn on the propeller (*Turning the Propeller On and Off, page 16*).

The trolling motor navigates back to the starting point of the active track along the path you traveled (*Navigating, page 23*).

## Navigating a Saved Track

- 1 Select  > **Tracks** > **Saved Tracks**.

A list of the ten closest saved tracks is shown.

- 2 Select a saved track.

- 3 Select **Navigate To**.

- 4 Select an option:

- To navigate the saved track from the beginning of the track to the end, select **Forward**.
- To navigate the saved track from the end of the track back to the beginning, select **Backward**.

- 5 Turn on the propeller (*Turning the Propeller On and Off, page 16*).

The trolling motor drives along the saved track in the chosen direction (*Navigating, page 23*).

## Viewing Saved Track Details

- 1 On the remote control, select  > **Tracks** > **Saved Tracks**.

A list of the ten closest saved tracks is shown.

- 2 Select a saved track.

- 3 Select **Review**.

## Editing a Saved Track Name

- 1 On the remote control, select  > **Tracks** > **Saved Tracks**.

A list of the ten closest saved tracks is shown.

- 2 Select a saved track.

- 3 Select **Edit**.

- 4 Enter a new name for the saved track.

## Deleting a Saved Track

- 1 On the remote control, select  > **Tracks** > **Saved Tracks**.

A list of the ten closest saved tracks is shown.

- 2 Select a saved track.

- 3 Select **Delete**.

## Navigating

Before you can navigate, you must calibrate the trolling motor (*Calibrating the Trolling Motor, page 7*).

The trolling motor uses GPS to steer the boat to a waypoint location or to follow a route or a track.

1 On the remote control, select an option:

- Begin navigating to a saved waypoint (*Navigating to a Waypoint, page 20*).
- Begin navigating a saved route (*Navigating a Route, page 21*).
- Begin retracing the active track (*Navigating to the Start of the Active Track, page 22*).
- Begin navigating a saved track (*Navigating a Saved Track, page 22*).



**NOTE:** You can also use the trolling motor to follow autoguidance paths when navigation is started from a connected chartplotter. See your chartplotter owner's manual for more information.

Navigating is shown on the remote control screen, and the trolling motor automatically steers the boat to the destination.

2 Adjust the speed as needed.

## Pausing and Resuming Navigation

1 While navigating, on the remote control, select an option:

- To pause navigation while continuing in the same direction at the same speed, select  > **Standby**.
- To pause navigation and set anchor lock, select 

Navigation stops, and the trolling motor returns to manual mode or maintains your position in anchor lock.

2 Select  > **Follow Route** or press  to resume navigation.

3 If necessary, start the propeller.

## Stopping Navigation

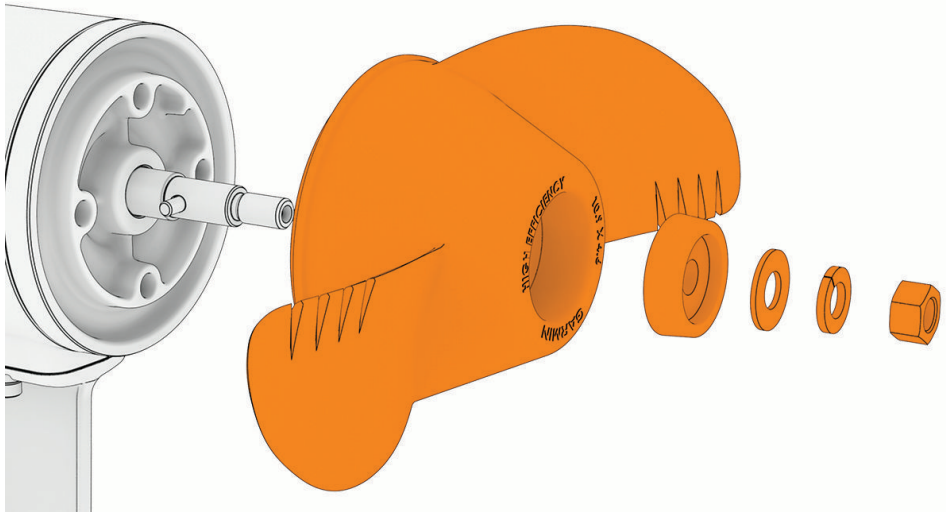
Select  > **Stop Nav**.

Navigation stops, and the trolling motor returns to manual mode.

## Changing the Propeller

The Force Pro trolling motor includes a high efficiency propeller and a weedless propeller. Follow these steps when changing propellers.

- 1 Using a  $\frac{9}{16}$  in (15 mm) socket, remove the nut that secures the propeller.



- 2 Remove the propeller and set aside the lock washer, flat washer and sacrificial anode.
- 3 Make sure the pin in the propeller motor shaft is in place, and replace it if necessary.
- 4 Install the new propeller.
- 5 Place the anode, flat washer, lock washer, and nut back on the propeller drive shaft.
- 6 Using a  $\frac{9}{16}$  in (15 mm) socket, tighten the nut to 16.27 N-m (12 lbf-ft) to secure the propeller.

# Settings

## Trolling Motor Settings

On the remote control, select  > **Settings** > **Trolling Motor**.

**Wi-Fi:** Sets the wireless network preferences for the trolling motor ([Wireless Network Settings, page 25](#)).

**Calibrate:** Calibrates the trolling motor compass ([Calibrating the Trolling Motor, page 7](#)) and sets the trolling motor bow offset ([Setting the Bow Offset, page 7](#)).

**Units:** Sets the units of measure.

**Battery:** Changes the appearance of the trolling motor battery indicator from an icon to a numeric value.

**Prop Stow Side:** Sets which side of the trolling motor the propeller rotates to when stowing the trolling motor. This is helpful when you store other items near the stowed propeller.

**Auto Power On:** Turns on the trolling motor when you apply power to the system.

**Heading Hold:** Sets the behavior of the heading hold feature ([Changing the Heading Hold Behavior, page 18](#)).

**Nav. Arrival:** Sets the behavior of the trolling motor when you reach the end of a route. With the Anchor Lock setting, the trolling motor holds the position using the anchor lock feature when the boat reaches the end of the route. With the Manual setting, the propeller turns off when the boat reaches the end of the route.

### CAUTION

When using Manual for the Nav. Arrival setting, you must be ready to take control of the boat.

**Anchor Gain:** Sets the response of the trolling motor when in anchor lock mode. If you need the trolling motor to be more responsive and move quicker, increase the value. If the motor is moving too much, decrease the value.

**Navigation Gain:** Sets the response of the trolling motor when navigating. If you need the trolling motor to be more responsive and move quicker, increase the value. If the motor is moving too much, decrease the value.

**Clear User Data:** Deletes all saved waypoints, routes, tracks, and your active track.

**NOTE:** If you are connected to a chartplotter, selecting this clears user data from both the trolling motor and the connected chartplotter.

**Restore Defaults:** Resets the trolling motor settings to the factory default values.

## Wireless Network Settings

On the remote control, select  > **Settings** > **Trolling Motor** > **Wi-Fi**.

**NOTE:** The active Wi-Fi mode is shown at the top of the screen.

**Mode:** Sets the Wi-Fi mode. You can turn off Wi-Fi technology, join the network of a chartplotter, or create a wireless access point to use the ActiveCaptain app ([Connecting to a Mobile Device with the ActiveCaptain® App, page 8](#)).

**Setup > Name:** Sets the name of the wireless access point on the trolling motor (ActiveCaptain mode only).

**Setup > Password:** Sets the password for the wireless access point on the trolling motor (ActiveCaptain mode only).

## Remote Control Settings

On the remote control, select  > **Settings** > **Remote Control**.

**Backlight:** Adjusts the backlight settings. (*Backlight Settings, page 26*)

**Beeper:** Sets the beeper to sound for key presses and alarms.

**Auto Power Off:** Sets the length of time before the remote control turns off automatically.

**Calibrate:** Calibrates the remote control for the gesture-control features (*Calibrating the Remote Control, page 13*).

**Pair:** Pairs the remote control with the trolling motor (*Pairing the Remote Control, page 13*).

**Language:** Sets the on-screen text language.

**Restore Defaults:** Resets the remote control to factory default settings. This restores the default configuration settings on the remote control, but does not remove saved user data.

## Backlight Settings

On the remote control, select  > **Settings** > **Remote Control** > **Backlight**.

**Keys:** Sets the backlight to turn on when a key is pressed.

**Alarms:** Sets the backlight to turn on when an alarm sounds on the remote control.

**Timeout:** Sets the length of time before the backlight turns off.

**Brightness:** Sets the brightness level of the backlight.

## Software Updates

You should check for updates to the trolling motor software periodically, to make sure you get the latest features and enhancements.

You can use the ActiveCaptain app to update the device software (*Updating Software with the ActiveCaptain App, page 27*).

If your trolling motor is connected to a Garmin chartplotter, updating the chartplotter software automatically updates the trolling motor software as well.

**NOTE:** If your Force Pro trolling motor is running software version 2.10 or older, you must use the ActiveCaptain app to update it to the latest version. After you have updated the trolling motor software to a newer version, updating the connected chartplotter software will automatically update the trolling motor software as well.

After a trolling motor software update completes, the software on connected peripherals such as the remote control and the foot pedal may be automatically updated as well.

For information on the latest Garmin marine software updates, go to [garmin.com/support/software/marine/](https://garmin.com/support/software/marine/).

## Updating Software with the ActiveCaptain App


You can go to [garmin.com/videos/trolling\\_motor\\_update/](https://garmin.com/videos/trolling_motor_update/) and watch a video to assist with the software-update process.

### NOTICE

Software updates may require the app to download large files. Regular data limits or charges from your internet service provider apply. Contact your internet service provider for more information about data limits or charges.

The installation process will take several minutes.

**NOTE:** To update the trolling motor, you must connect your mobile device directly to a dedicated Wi-Fi network on the trolling motor using the ActiveCaptain app.

- 1 If necessary, set up the trolling motor for use with the ActiveCaptain app (*Connecting to a Mobile Device with the ActiveCaptain® App*, page 8).
- 2 Connect the mobile device to the dedicated Wi-Fi network on the trolling motor.  
Connecting to the Wi-Fi network on the trolling motor provides the app with the information needed to download the appropriate update files.
- 3 Open the ActiveCaptain app.
- 4 Disconnect the mobile device from the dedicated Wi-Fi network on the trolling motor.
- 5 Connect the mobile device to the internet.
- 6 From the ActiveCaptain app, select **My Marine Devices > Download**.  
**NOTE:** The option to download an update is shown only if a software update is available for your device. The ActiveCaptain app downloads the update to the mobile device.
- 7 Reconnect the mobile device to the dedicated Wi-Fi network on the trolling motor.  
The update is transferred to the trolling motor. This could take up to 30 minutes to complete. The motor speed indicator lights on the trolling motor display panel blink to indicate that the software is updating.  
**NOTE:** If the transfer is complete but the trolling motor display panel lights do not start blinking, you should turn off the trolling motor and turn it back on to run the update.
- 8 Make sure the remote control is turned on and connected.  
After the trolling motor software update is complete, if an update for the remote control is available, the speed indicator lights blink, and a countdown begins on the remote control. At the end of the countdown, the remote control displays  while it completes the update process. This could take up to 5 minutes to complete.
- 9 Make sure the foot pedal is turned on and connected.  
After the trolling motor software update is complete, if an update for the foot pedal is available, the indicator light on the foot pedal illuminates purple while it completes the update process. When the indicator light turns off, the update is complete.

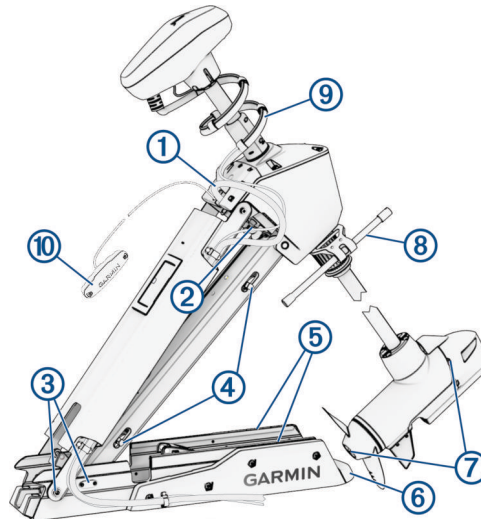
# Maintenance Needs and Schedule

## NOTICE

After using the motor in salt water or brackish water, you must rinse off the entire motor with fresh water, and apply a water-based silicone spray using a soft cloth. You must avoid spraying jets of water at the shaft cap, to prevent water ingress that could lead to product damage.

To maintain your warranty, you must perform routine maintenance tasks to prepare your motor for the season. If you transport the motor in dry and dusty environments such as gravel or dirt roads, you should repeat these tasks during the season as needed.

For service instructions and information on replacement parts, see the *Field Service Manual* on [garmin.com/manuals/force\\_pro\\_trolling\\_motor](http://garmin.com/manuals/force_pro_trolling_motor).



- Examine the power cable ① for wear, and replace it if necessary.<sup>3</sup>
- Check and clean the power terminals and tighten the nuts ②, if necessary (*Checking and Cleaning the Power Terminals*, page 29).
- Lubricate the hinges and bushings ③ (*Lubricating the Hinges and Bushings*, page 30).
- Clean and lubricate the stow and deploy latch mechanism ④ (*Cleaning and Lubricating the Locking Mechanism*, page 30).
- Check the mount rails ⑤, and replace them if necessary (*Checking and Replacing the Mount Rails*, page 32).
- Check the mount bumper ⑥, and replace it if necessary (*Checking and Replacing the Mount Bumper*, page 33).
- Clean or replace the anodes in the propeller drive motor ⑦ (*Servicing the Anodes*, page 33).
- If installed, check the rubber stops on the ends of the stabilizer ⑧ for wear and replace them as necessary.
- Examine the coil cable ⑨ for wear, and replace it if necessary.<sup>3</sup>
- Examine the pull-cable and handle ⑩ for wear, and replace it if necessary (*Replacing the Pull Cable*, page 35).

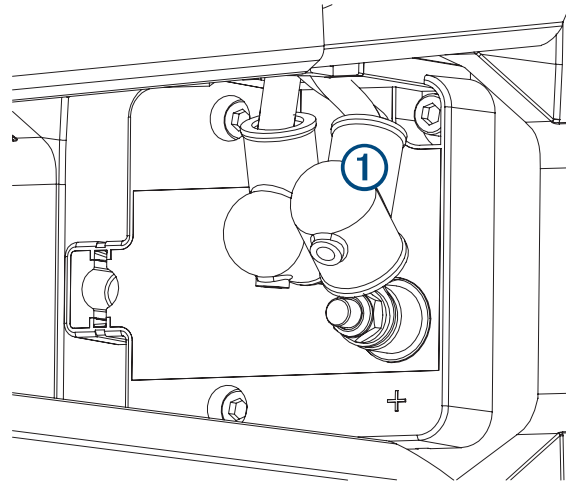
<sup>3</sup> See the *Field Service Manual* on [garmin.com/manuals/force\\_pro\\_trolling\\_motor](http://garmin.com/manuals/force_pro_trolling_motor) for replacement instructions.

## Checking and Cleaning the Power Terminals

### WARNING

Always disconnect the motor from the battery before handling or working with the propeller, propeller drive motor, electrical connections, or electronics enclosures to avoid serious injury or death.

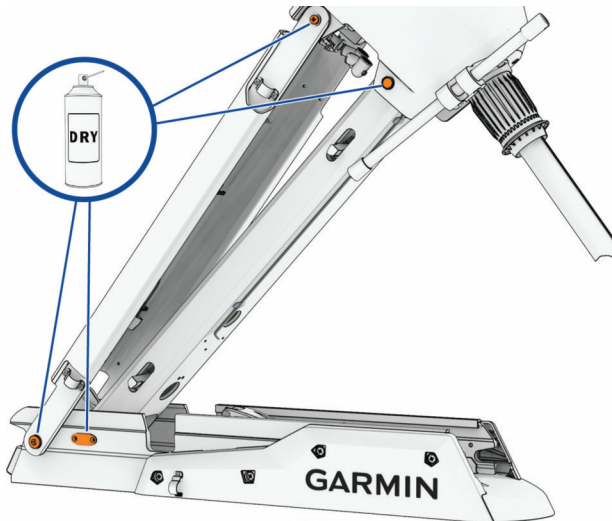
- 1 With the motor in the deployed position, pull the rubber shields away from the positive and negative power terminals ①.



- 2 Verify the terminal nuts are snug and that the ring terminals cannot move.
- 3 If necessary, use a torque wrench and a 10 mm socket to make sure the nuts are tightened to 4 N-m (36 lbf-in).
- 4 If necessary, clean any corrosion from the terminals using a wire brush.  
**NOTE:** In cases of heavy corrosion, you may need to remove the power cables for an effective cleaning. See the *Force Pro Trolling Motor Field Service Manual* on [garmin.com/manuals/force\\_pro\\_trolling\\_motor](http://garmin.com/manuals/force_pro_trolling_motor) for detailed instructions on disconnecting and removing the power cables from the motor.
- 5 Cover the connections with dielectric grease.
- 6 Securely place the rubber shields back over the power terminals.

## Lubricating the Hinges and Bushings

- 1 Apply a non-stick, dry-film lubricant to each hinge point, including the space between the moving parts.



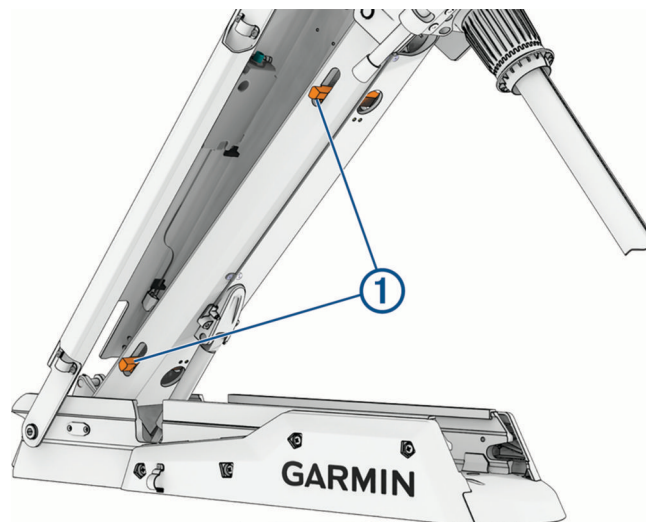
- 2 Move the motor from the stowed to the deployed position and back a few times to distribute the lubricant.
- 3 If necessary, apply additional lubricant and repeat the previous step.
- 4 Allow the lubricant to dry according to manufacturer's instructions.

## Cleaning and Lubricating the Locking Mechanism

### ⚠ CAUTION

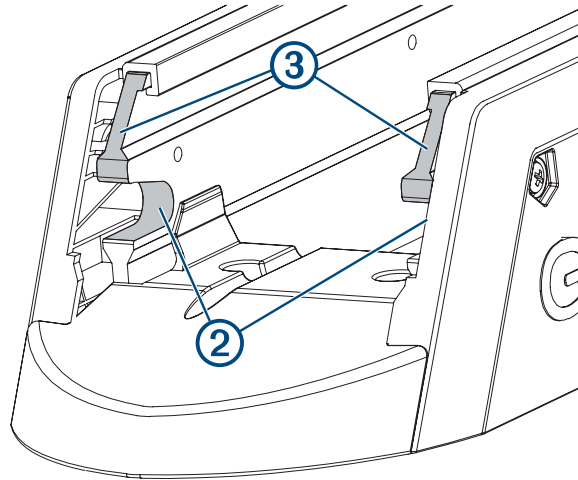
This procedure is best performed with the motor halfway between the stowed and deployed positions. When in this position, the motor is not secured, so you should support the motor and use extreme caution to avoid pinching or crushing hands or fingers.

- 1 Place the motor between the stowed and deployed positions so the base is oriented vertically and you can access both locking mechanisms ①.

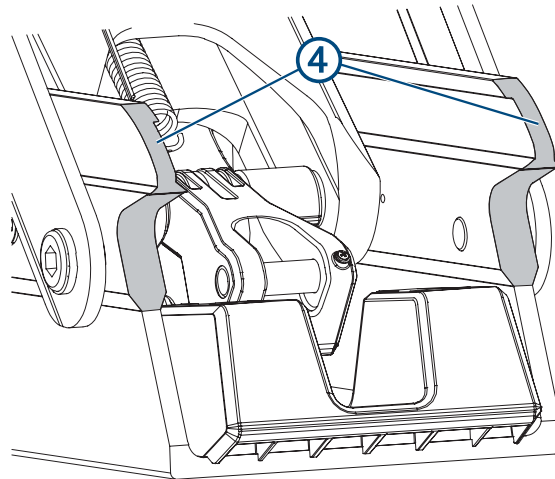


- 2 Support the weight of the motor so it cannot fall and crush your hands or fingers.
- 3 Clean any debris, dirt, and build up from all of the locking mechanism channels.
- 4 Apply a synthetic or marine grade, general-purpose grease to the locking mechanisms and the channels.
- 5 Pull and release the pull cable a number of times to move the mechanisms in the channels and distribute the grease.
- 6 If necessary, apply additional grease and repeat the previous step.

- 7 Clean any debris, dirt, and build up from the latch receivers ② on the front of the mount base.



- 8 Apply a synthetic or marine grade, general-purpose grease to the upper surface ③ of the latch receivers on the front of the mount base, so the locking mechanisms slide smoothly into the receivers.
- 9 Repeat the previous two steps for the latch receivers on the back of the mount base ④.

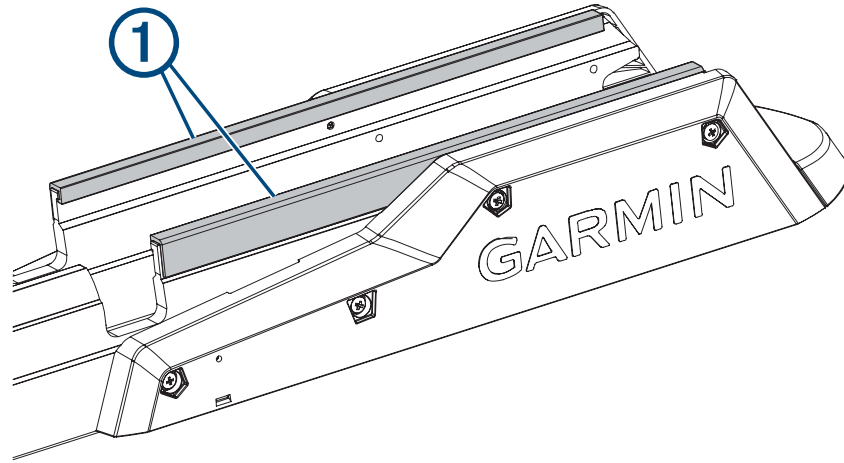


- 10 Return the motor to the stowed or deployed position.

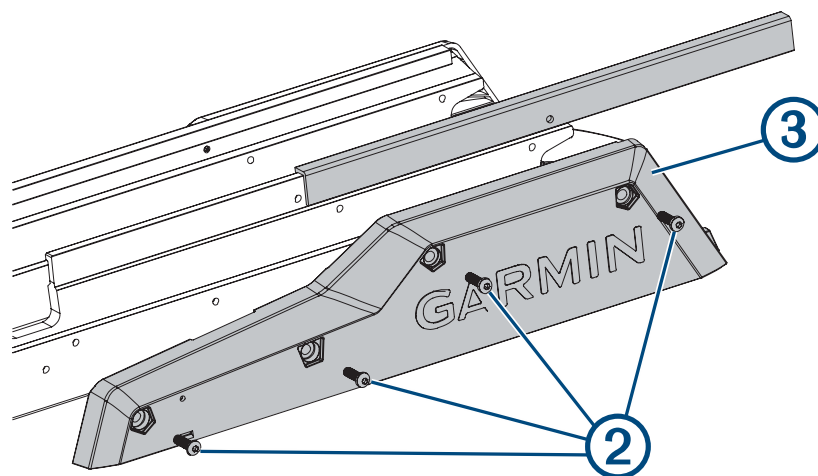
## Checking and Replacing the Mount Rails

The rails protect the propeller drive motor and the mount from impact when stowing the motor, and may become worn over time. If the rails are damaged or worn and the mount base is visible through them, you must replace them.

- 1 With the motor in the stowed position, examine the rails ① for wear and damage.



- 2 Select an action:
  - If the rails are in good condition, and you cannot see the metal mount base through any worn areas, no further action is needed.
  - If the rails are damaged or if you can see the metal mount base through worn areas in the rails, proceed to the next step to replace them.
- 3 Using a 4 mm hex bit or wrench, remove the screws ② that secure the shrouds ③ to the mount base.

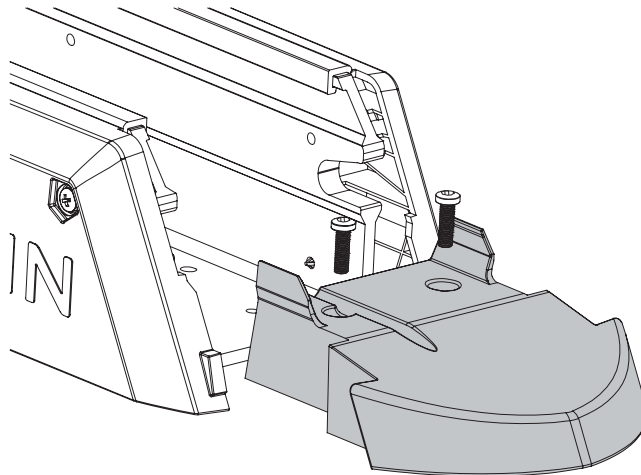


- 4 Slide the damaged rails off of the mount base.
- 5 Slide the replacement rails onto the mount base.
- 6 Secure the shrouds to the mount base using the screws you removed previously.

## Checking and Replacing the Mount Bumper

The mount bumper is the part of the mount base that overhangs the bow of the boat.

- 1 Place the motor between the stowed and deployed positions, and check the mount bumper for damage.
- 2 Select an action:
  - If the mount bumper is undamaged, no further action is needed.
  - If the mount bumper is damaged, proceed to the next step to replace it.
- 3 Using a 4 mm hex bit or wrench, remove the two screws that secure the mount bumper to the mount base.



- 4 Install a replacement mount bumper, and secure it to the mount base using the screws provided with the replacement part.

## Servicing the Anodes

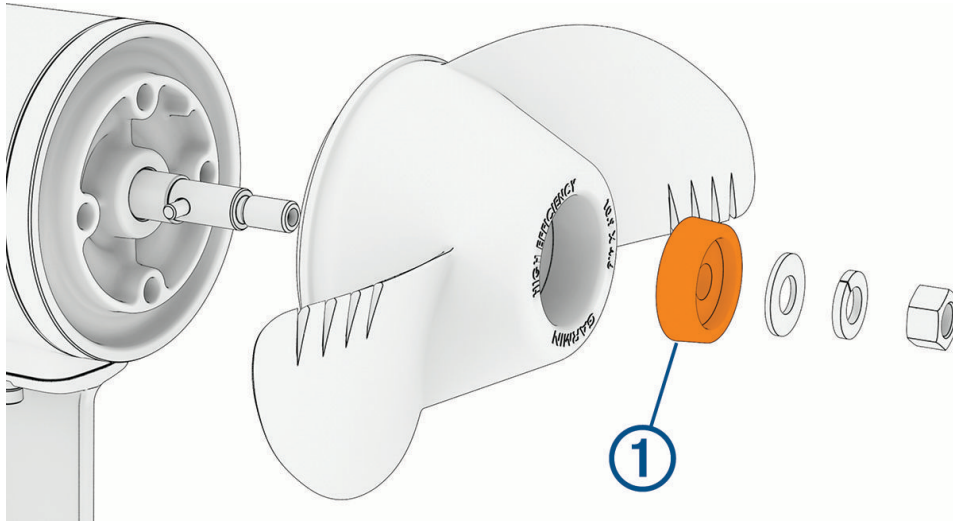
### **WARNING**

Always disconnect the motor from the battery before handling or working with the propeller, propeller drive motor, electrical connections, or electronics enclosures to avoid serious injury or death.

The sacrificial anodes protect the motor components from corrosion. Each season they must be examined and cleaned or replaced if necessary. You can purchase replacement anodes from your Garmin dealer or you can go to [garmin.com](http://garmin.com).

## Servicing the Propeller Anode

- 1 Using a  $\frac{9}{16}$  in (15 mm) socket, loosen the nut on the end of the propeller.
- 2 Remove the propeller and set aside the nut, the lock washer and the flat washer.
- 3 Remove and examine the anode ①.



- 4 Select an option:
  - If the anode is half of the original size or larger, clean the anode using a wire brush or sandpaper.

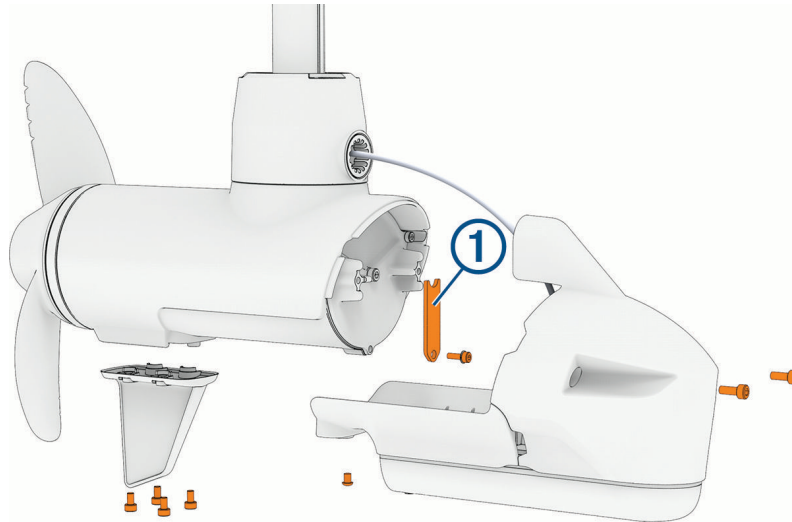
### NOTICE

Remove the anode from the motor before cleaning it with a wire brush or sandpaper. Cleaning the anode while installed on the motor could damage the motor, accelerate corrosion, and shorten the life of the motor.

- If the anode is smaller than half of the original size, discard the anode and purchase a replacement.
- 5 Place the cleaned or new anode back on the propeller drive shaft, followed by the flat washer, the lock washer and the nut.
  - 6 Using a  $\frac{9}{16}$  in (15 mm) socket, tighten the nut to 16.27 N-m (12 lbf-ft) to secure the propeller.

## Servicing the Nose Cone Anode

- 1 Using a 4 mm hex bit or wrench, remove the four screws securing the skeg on the bottom of the motor.
- 2 Using a 3 mm hex bit or wrench, remove the screw that secures the transducer and nose cone to the bottom of the motor .
- 3 Using a 4 mm hex bit or wrench, remove the screws to disconnect the nose cone from the front of the motor.
- 4 Using a 3 mm hex bit or wrench, remove the screw to release the anode ① on the front of the motor.



- 5 Examine the anode, and complete an action:
  - If the anode is half of the original size or larger, clean the anode using a wire brush or sandpaper.
  - If the anode is smaller than half of the original size, discard the anode and purchase a replacement.
- 6 Place the cleaned or new anode on the screw and secure it to the motor.
- 7 Secure the nose cone to the front of the motor.
- 8 Install the screw that secures the transducer and nose cone to the bottom of the motor.
- 9 Install the skeg on the bottom of the motor.

## Replacing the Pull Cable

Follow the instructions included with the pull handle and cable kit (part number 010-13915-00) or see the *Pull Handle and Cable Instructions* on [garmin.com/manuals/force\\_pro\\_trolling\\_motor](http://garmin.com/manuals/force_pro_trolling_motor) .

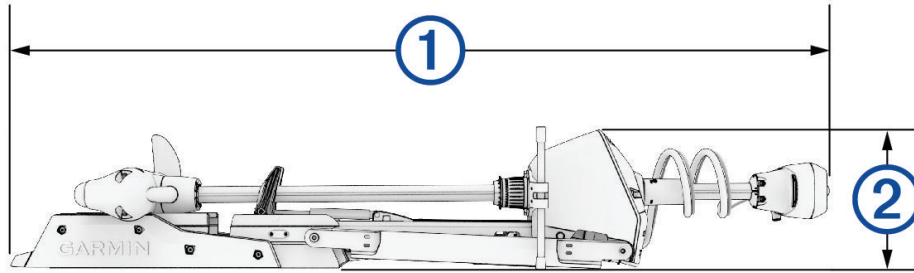
## Fixing Paint Scratches

Over time, parts of the motor may become scratched or dinged. You can use paint to touch up these areas for cosmetic purposes.

- 1 Using isopropyl alcohol, thoroughly clean the areas where the paint has been scratched or damaged.
- 2 Apply liquid polyurethane touch-up paint to the scratched or damaged areas.
- 3 Follow the instructions on the paint, and allow for proper drying before using the motor.

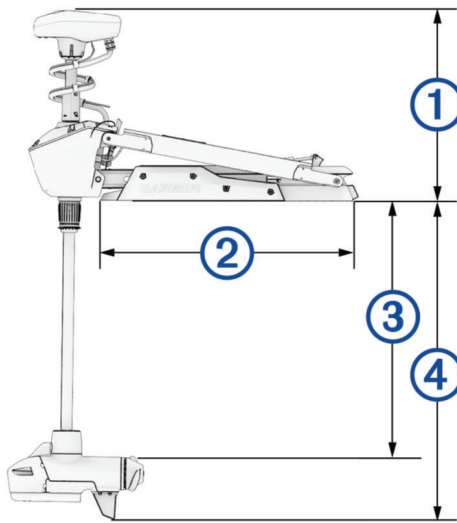
# Motor Information

## Stowed Dimensions

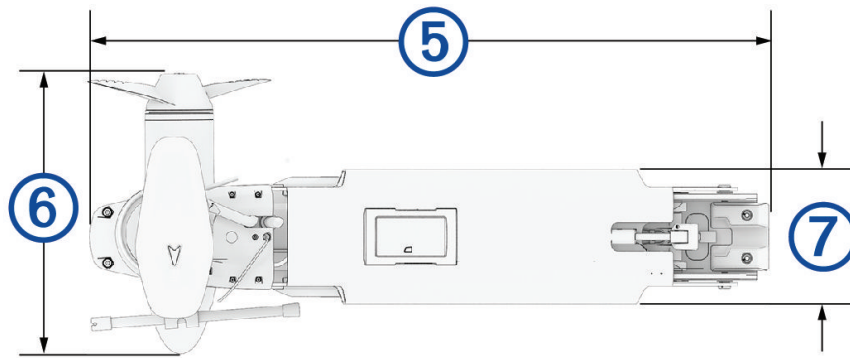


Item	50 in. Model	57 in. Model
①	1575 mm (62.00 in.) min. 1825 mm (71.85 in.) max.	1750 mm (68.90 in.) min. 2090 mm (82.28 in.) max.
②	330 mm (12.99 in.)	345 mm (13.58 in.)

## Deployed Dimensions



Item	50 in. Model	57 in. Model
①	496 mm (19.52 in.) min. 746 mm (29.37 in.) max.	496 mm (19.52 in.) min. 833 mm (32.80 in.) max.
②	708 mm (27.87 in.)	799 mm (31.46 in.)
③	644 mm (25.35 in.) min. 895 mm (35.24 in.) max.	730 mm (28.74 in.) min. 1065 mm (41.93 in.) max.
④	835 mm (32.87 in.) min. 1080 mm (42.52 in.) max.	930 mm (36.61 in.) min. 1259 mm (49.57 in.) max.



Item	50 in. Model	57 in. Model
⑤	931 mm (36.65 in.)	1021 mm (40.20 in.)
⑥	421 mm (16.57 in.)	421 mm (16.57 in.)
⑦	203 mm (7.99 in.)	203 mm (7.99 in.)

## Registering Your Device

Help us better support you by completing our online registration today.

- Register using the ActiveCaptain app.
- Keep the original sales receipt, or a photocopy, in a safe place.

# Specifications

## Trolling Motor

Weight (motor, mount, and cables)	50 in. model: 30.25 kg (66.7 lb.) 57 in. model: 32.06 kg (70.7 lb.)
Weight (stabilizer)	0.54 kg (1.2 lb.)
Operating temperature	From -5° to 40°C (from 32° to 104°F)
Storage temperature	From -40° to 85°C (-40° to 185°F)
Material	Mount and motor housing: aluminum Shaft cap, display panel, and side panels: plastic Motor shaft: fiberglass
Water rating	Shaft cap: IEC 60529 IPX5 <sup>4</sup> Steering motor housing: IEC 60529 IPX7 <sup>5</sup> Display panel housing: IEC 60529 IPX7 Propeller drive motor housing: IEC 60529 IPX8 <sup>6</sup>
Compass safe distance	91 cm (3 ft.)
Power cable length	50 in. model: 1.2 m (4 ft.) 57 in. model: 1.1 m (3.5 ft.)
Input voltage	From 20 to 45 Vdc
Input amperage	60 A continuous
Breaker (not included)	42 VDC or greater, suitable for 60 A continuous <b>NOTE:</b> You can protect the system by using a larger circuit breaker, not to exceed 90 A, if you are operating under high temperatures or if you are sharing the circuit with other devices. You should verify that your boat wiring meets marine wiring standards using a larger breaker before changing it.
Main power usage at 36 Vdc 60 A	Off: 72 mW Full power: 2160 W
Wireless frequency and transmit power	2.4 GHz @ 19.9 dBm maximum

<sup>4</sup> The part withstands projected water exposure from any direction (such as rain).

<sup>5</sup> The part withstands incidental immersion in water up to 1 m deep for up to 30 min.

<sup>6</sup> The part withstands continuous immersion in water up to 3 m deep.

## Motor Thrust and Current-Draw Information

You can refer to these tables to understand the relationship between the throttle level, output power, and current consumption of the motor. These values assume you are using an official Garmin high efficiency propeller, in relatively calm water, with the motor deployed deeply enough not to ventilate, and with tolerances of  $\pm 7$  N (Newton) (5 lbf (pound-force)) and  $\pm 5$  A.

### 24.0 Vdc Power Source

Throttle Level	Thrust	Current
10%	25 N (6 lbf)	2 A
20%	45 N (10 lbf)	3 A
30%	70 N (16 lbf)	6 A
40%	101 N (23 lbf)	9 A
50%	140 N (31 lbf)	14 A
60%	184 N (41 lbf)	21 A
70%	233 N (52 lbf)	29 A
80%	287 N (65 lbf)	40 A
90%	345 N (78 lbf)	54 A
100%	355 N (80 lbf)	57 A

### 36.0 Vdc Power Source

Throttle Level	Thrust	Current
10%	21 N (5 lbf)	1 A
20%	41 N (9 lbf)	2 A
30%	69 N (16 lbf)	4 A
40%	103 N (23 lbf)	6 A
50%	144 N (32 lbf)	10 A
60%	191 N (43 lbf)	15 A
70%	246 N (55 lbf)	21 A
80%	307 N (69 lbf)	29 A
90%	375 N (84 lbf)	39 A
100%	445 N (100 lbf)	54 A

## Remote Control

Dimensions (W×H×D)	152 x 52 x 32 mm (6 x 2 x 1 <sup>1</sup> / <sub>4</sub> in.)
Weight	109 g (3.8 oz.) without batteries
Material	Glass-filled nylon
Display type	Sunlight-visible, transfective memory-in-pixel (MIP)
Display resolution	R240 x 240 pixels
Display size (diameter)	30.2 mm (1 <sup>3</sup> / <sub>16</sub> in.)
Operating temperature	From -15° to 55°C (5° to 131°F)
Storage temperature	From -40° to 85°C (-40° to 185°F)
Battery type	2 AA (not included)
Battery life	240 hr., typical use
Radio frequency	2.4 GHz @ 10.0 dBm nominal
Water rating	IEC 60529 IPX7 <sup>7</sup>
Compass-safe distance	15 cm (6 in.)

## Foot Pedal

Dimensions (L×W×H)	303 × 221 × 110 mm (11 <sup>15</sup> / <sub>16</sub> × 8 <sup>11</sup> / <sub>16</sub> × 4 <sup>5</sup> / <sub>16</sub> in.)
Weight	1.8 kg (4 lb)
Operating temperature	From -15° to 55°C (5° to 131°F)
Storage temperature	From -40° to 85°C (-40° to 185°F)
Water rating	IEC 60529 IPX7
Material	Plastic
Input voltage	From 10 to 45 Vdc
Rated input voltage	12/24/36 Vdc
Typical input current	< 1 mA @ 12 Vdc
Max input current	10 mA @ 12 Vdc
Fuse (on the power cable)	2 A mini-blade type
Power cable length	2 m (6.6 ft.)
Battery type	Two AA batteries (Alkaline, NiMH, or lithium. Not included.)
Battery life	At least 1 year
Radio frequency	2.4 GHz @ 0.72 dBm nominal
Compass-safe distance	60 cm (2 ft.)

<sup>7</sup> Withstands incidental exposure of water up to 1 m for up to 30 min.



