

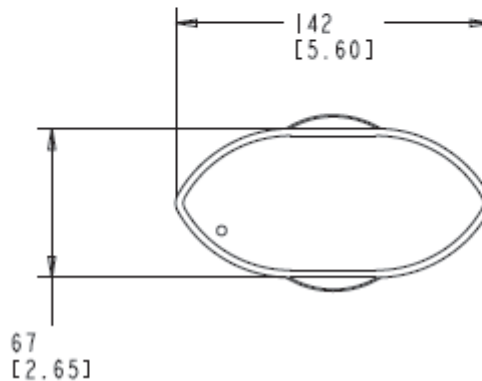
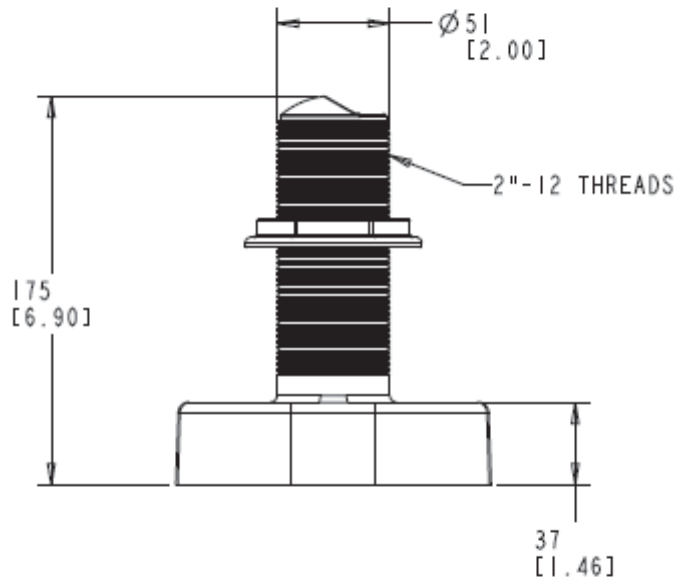
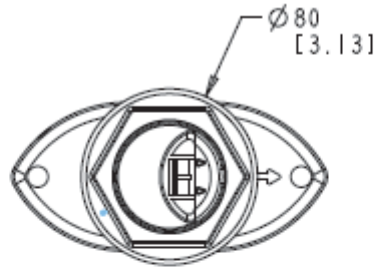
# AIRMAR Product Specification

## AIRMAR # 44-193-1-01      FURUNO # B54

TRANSDUCER

DIMENSIONS ARE IN MM [INCH]

TOLERANCE: +/- 1 MM [0.04"]



AIRMAR reserves the right to change anything that will not affect the form, fit or function of this product. These specifications are acceptable to the customer unless AIRMAR is contacted within thirty days from the date received.