

compartments) the pressure switches must be wired in series. This allows either extinguisher to operate the discharge alarm in the event of a fire in either compartment.

4.0 CHECKOUT

With all connections made as noted in section 3, and +12 volts applied to the red wire of the control head, there should be no alarm indication.

4.1 Disconnect wires at the electrical switch on the Fireboy extinguisher. The red "DISCHARGED" lamp on the control head will glow and the audible alarm will sound.

4.2 In the multiple extinguisher systems the test of paragraph 4.1 should be repeated at each extinguisher system.

5.0 CERTIFICATION

This unit has been tested to comply with the standards and/or requirements of:

ABYC (American Boat & Yacht Council)
190 Ketcham Avenue
Amityville, NY 11701

American Marine Laboratories
Marine Testing Institute
25 Parker Avenue
Stamford, CT 06906

6.0 APPLICATION ASSISTANCE

Technical advice in the use, application, and installation of this device is available by contacting manufacturer.

NOTES:

1 YEAR LIMITED WARRANTY

This Warranty Is In lieu of all other express or implied Warranties.

Seller warrants title, materials, and workmanship on equipment, except components manufactured by others for which Seller assigns, as permitted, the original manufacturer's warranty. Seller's warranty shall be for a period of (1) one year from the date of sale to the ORIGINAL CONSUMER PURCHASER, during which non-conforming equipment returned to Seller at Buyer's expense and risk be repaired or replaced at Seller's option. Consolidated Marine Products Inc. will repair or replace products found to be defective in materials or workmanship within the period set forth above, provided that: (a) the product has not been subjected to abuse, contamination, neglect, accident, incorrect wiring not our own, Improper installation or servicing, or used in violation of instructions furnished by Consolidated Marine Products Inc., and (b) as to any prior defects in materials or workmanship covered by this warranty, the product has not been repaired or altered by anyone except Consolidated Marine Products Inc. and (c) the serial number has not been removed, defaced or otherwise changed, and (d) examination discloses. In the judgement of Consolidated Marine Products Inc. a defect in materials or workmanship which developed under normal installation, use and service. Consolidated Marine Products Inc. does not assume the costs of removal and/or installation of the product or any other incidental costs which may arise as a result of any defect in materials or workmanship, and (e) upon discovery of defect. Buyer shall immediately cease use of and notify Consolidated Marine Products Inc.

ANY WARRANTY IMPLIED BY LAW, INCLUDING WARRANTIES OF MERCHANTABILITY OR FITNESS, IS IN EFFECT ONLY FOR THE DURATION OF THE EXPRESS WARRANTIES SET FORTH ABOVE. NO PERSON IS AUTHORIZED TO GIVE ANY OTHER WARRANTY, OR TO ASSUME FOR CONSOLIDATED MARINE PRODUCTS INC. ANY OTHER LIABILITY IN CONNECTION WITH THE SALE OF ITS PRODUCTS. CONSOLIDATED MARINE PRODUCTS INC. SHALL BE NOT LIABLE FOR THE LOSS OF USE, REVENUE, OR PROFIT OR FOR ANY INJURY, OR FOR ANY OTHER CONSEQUENTIAL OR INCIDENTAL DAMAGES. BUYER IS NOT RELYING ON SELLER'S JUDGEMENT REGARDING HIS PARTICULAR REQUIREMENTS, AND HAS HAD AN OPPORTUNITY TO INSPECT THE PRODUCT TO HIS SATISFACTION.

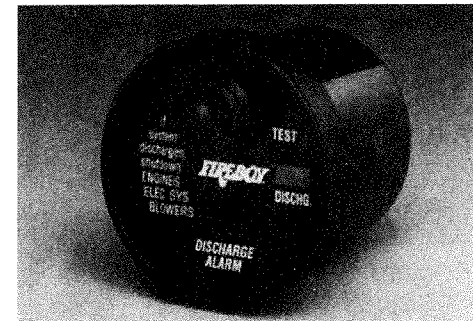
This warranty gives you specific legal rights, and you may also have other rights which vary from state to state.

FIREBOY SYSTEMS DIVISION

P.O. Box 152
Grand Rapids, MI 49501-0152
Shipping Address
0-379 Lake Michigan Dr.
Grand Rapids, MI 49534

OWNER AND INSTALLATION MANUAL FOR SOLID STATE DELUXE DISCHARGE ALARM

MODEL DA-1001-011 Rd. Bezel
MODEL DA-1001-021 Sq. Bezel



for use with
FIREBOY®

Coast Guard Approved
FIRE EXTINGUISHING SYSTEMS, ONLY

NOTE: This alarm replaces the standard indicator lamp and escutcheon panel provided with each Fireboy Coast Guard approved system.

WARNING!

THIS DELUXE DISCHARGE ALARM IS INTENDED FOR USE WITH FIREBOY COAST GUARD APPROVED FIRE EXTINGUISHING SYSTEMS. WE RECOMMEND THAT IT BE INSTALLED UNDER THE DIRECTION OF A QUALIFIED MARINE ELECTRICIAN FAMILIAR WITH ABYC* AND OTHER ACCEPTED MARINE STANDARDS AND PRACTICES.

THIS UNIT IS NOT TO BE INSTALLED IN ENGINE, BILGE OR FUEL STORAGE COMPARTMENTS.

READ THIS MANUAL THOROUGHLY BEFORE INSTALLING SYSTEM, AND COMPLY WITH ALL INSTALLATION INSTRUCTIONS. RETAIN THIS MANUAL FOR FUTURE REFERENCE.

FEATURES

- Low standby current, may be connected directly to the battery buss!
- Light emitting diode lamp with life in excess of 100,000 hours!
- Press-to-test switch with waterproof boot!

1.0 OPERATION

1.1 With the discharge alarm properly installed and connected to + 12 Volts DC, and the Fireboy system in a charged condition, the red "DISCHARGE" lamp on the control head should remain unlit and the audible alarm unit should be silent.

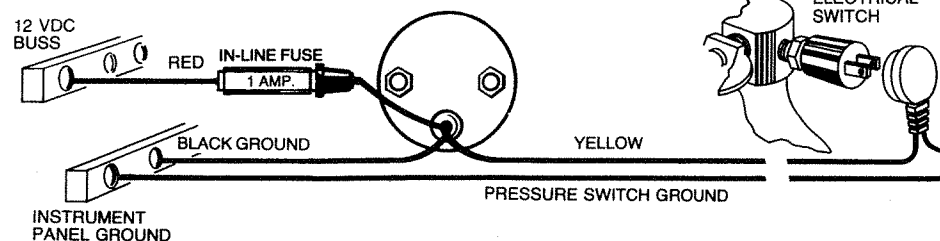
NOTE: In low ambient light levels the red indicator lamp may be seen to glow dimly. This is normal and does not indicate a system fault.

1.2 Moving the test switch to the "TEST" position will cause the red "DISCHARGE" lamp to illuminate and the audible alarm to sound, thus determining the readiness of the system to respond in the event of a discharge.

1.3 In the event of a fire and the subsequent discharge of the Fireboy system, the red "DISCHARGE" lamp will illuminate and the audible alarm will sound as long as + 12 volts DC remains applied.

NOTE: IN THE EVENT OF AN ACTUAL DISCHARGE AND SUBSEQUENT ALARM INDICATION, ALL ENGINE, GENERATOR, AND ACCESSORY SYSTEMS SHALL BE SHUT DOWN AND THE CAUSE OF THE DISCHARGE

Fig. 1A



*See Sec. 5

DETERMINED AND CORRECTED BEFORE PROCEEDING. (See Fireboy Owner's Manual)

2.0 INSTALLATION

The control head should be mounted at the helm station in a convenient location. Mounting requires a 2-1/16" diameter hole and the bracket and nuts supplied.

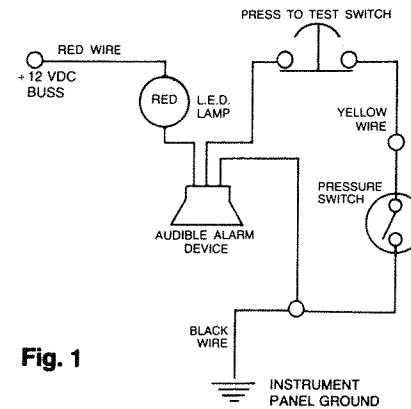


Fig. 1

NOTE: PRESSURE SWITCH IS PART OF FIREBOY CG OR MA SYSTEM

2.1 It is assumed that the Fireboy system (or systems) has been properly installed according to the information supplied with the system.

3.0 ELECTRICAL CONNECTIONS

CAUTION NOTE: Improper hook-up will damage unit and void warranty!

All wiring connections shall be made using #16 AWG stranded copper wire conforming to ABYC standards for marine use, as a minimum.

3.1 The RED wire (see figure 1 & 1 A) on the control head shall be connected to + 12 volts DC at the ignition buss. This connection shall be fused with a 1 ampere in-line fuse (maximum).

NOTE: With the discharge alarm in the "normal" mode (no alarm) the power drain from the +12 VDC supply is approximately .0005 amps (.5 milliamps). At this current level the drain from the battery buss is negligible and the unit may be connected directly to it, bypassing the ignition switch. In this manner the discharge alarm will be powered at all times, and ready to alert boat occupants or passersby to a discharge of the Fireboy extinguishing system.

3.2 The BLACK wire (see figure 1 & 1 A) on the control head shall be connected to a suitable ground (-12 volts) on the instrument panel.

3.3 The YELLOW wire (see figure 1 & 1A) on the control head shall be connected to one terminal of the electrical switch on the Fireboy system. The other terminal of the pressure switch should be connected to ground at the same point as the BLACK wire from terminal 3 of the control head. (Ref. Para. 3.2).

3.4 In applications requiring multiple extinguisher systems, (i.e., separate engine and generator