

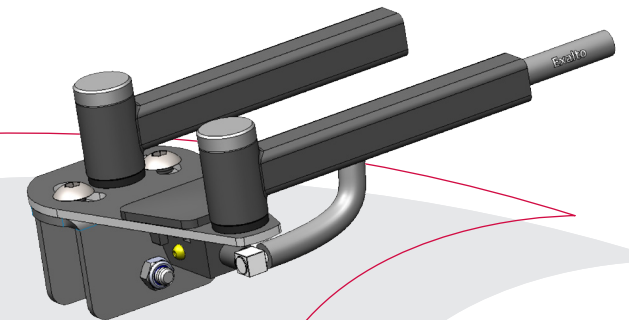
Instruction manual



- 30 Samuel Barnett Boulevard
New Bedford
MA 02745, USA
- T (508) 995 7000
- F (508) 998 5393
- **Tol Free Fax** (0800) 998 2580
- E wipers@imtra.com
- I www.imtra.com



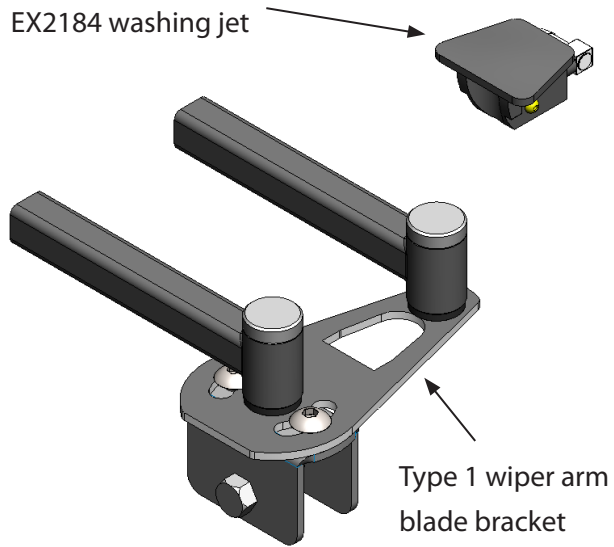
- P.O. Box 40
3370 AA Hardinxveld-Giessendam
The Netherlands
- T +31 (0)184 615800
- F +31 (0)184 614045
- E sales@exalto.com
- I www.exalto.com



**Installation of EX2184 washing jet
in type 1 wiper arm
(EX2133AS, EX2136AS, EX2139AS)**

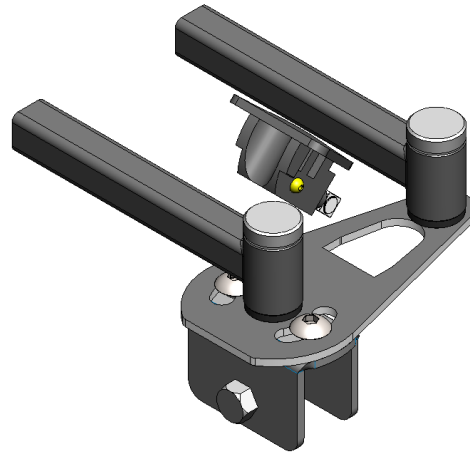
General information

EX2184 washing jet

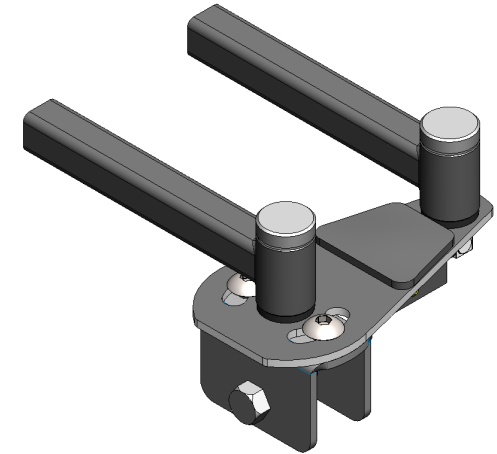


Installation of EX2184 washing jet in type 1 wiper arm (EX2133AS, EX2136AS, EX2139AS)

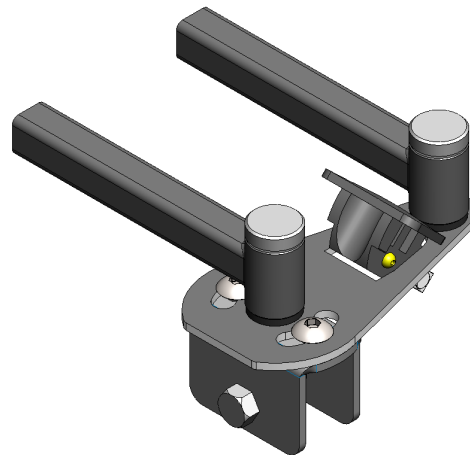
Insert EX2184 washing jet, into the cut-out on
blade bracket.



Until the jet snaps into place.



Press firmly on top of washing jet.



Attach **soft** (EX2154) washing tubing to barbed elbow.
Ensure proper service loop on the end of
the wiper arm to allow for arm movement.

