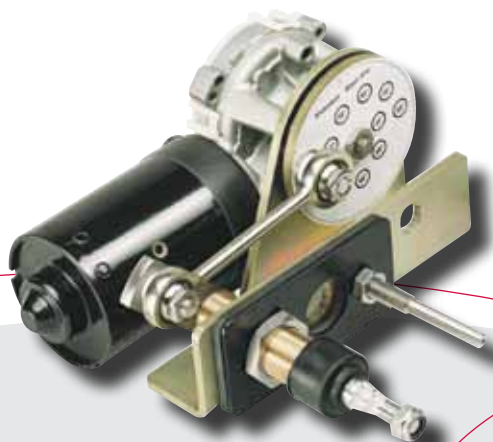




Parts • Wipers • Bearings • Propulsion

**User manual for  
Exalto windshield wiper  
Type 223 BD 12/24 Volt**



**Cat. no. 2165.30/32/35/40 (12 volt)**

**Cat.no. 2166.30/32/35/40 (24 volt)**

version 9 - 2012

# Safety

Although Exalto windshield wipers are easy to install, a fair amount of technical knowledge (mechanical and electrical) is required of the technician. Consult the manual or your vendor in case of doubt on installation or functioning.

## **Safety symbols**



An exclamation mark in front of the text indicates, if a procedure is executed incorrectly, injury or damage may occur

## **Dangers**

The installation and use of Exalto wipers doesn't inflict any personal dangers or damage, provided that installation is done according to the requirements.



- Never remove covers or other safety provisions, unless maintenance is being performed and all safety requirements are obeyed.
- The installer must provide all necessary covers.
- Always isolate the electrical circuit when performing maintenance. Prevent the installation from being started (accidentally) by others.

## **Safety provisions**

Safety provisions protect the user against contact with moving, electrical or hot parts. Some of them must be provided by the installer. There are several safety provisions:



- Cover or panel (compelled): covers moving parts and electrical connections. The installer **MUST** provide a self-made cover or place the wiper behind a panel.
- Make sure the wiper has enough ventilation when placing it behind a panel or cover.
- Place a fuse (see specifications) in the main cable.

## **Safety requirements**

Before the Exalto wiper is installed, we strongly recommend the following:

- Read the entire manual before installation.
- Keep your working environment as well as the wiper parts clean.
- Check to be sure no parts are missing or damaged.
- Use only well maintained tools and have them within reach when installing.
- Handle the parts with care.
- Never install or maintain the wiper with the electrical voltage applied, unless this is specifically mentioned in the manual.
- Clear your tools after installation.

## ***Use of the manual***

Read the entire manual before installation. In this manual you will find the following expressions and symbols:

### **Hint!**

Gives you advice on how to perform a task more easily.



### **Attention!**

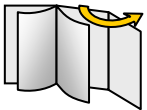
Alerts you to possible problems and safety warnings.

### **Careful!**

Warns if the product can be damaged when working carelessly.

### **Warning!**

You could hurt yourself or damage the product severely.



### **At the back of the manual**

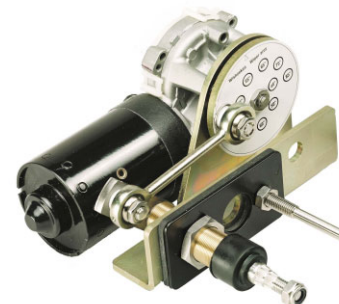
Look at the back of the manual for a drawing.

# Contents

<b>1</b>	<b>Introduction</b>	<b>4</b>
1.1	Introduction	4
1.2	Environmental factors	4
1.3	Modified use and guarantee	4
<b>2</b>	<b>Technical</b>	<b>5</b>
2.1	General	5
2.2	Electrical data 12 Volt	5
2.3	Electrical data 24 Volt	5
2.4	Mechanical data	5
<b>3</b>	<b>Installation</b>	<b>6</b>
3.1	Preparation	6
3.2	Installation of mechanical parts	6
3.3	Electrical installation	8
3.4	Final installation	8
<b>4</b>	<b>Operation and use</b>	<b>10</b>
4.1	Preparation for first use	10
4.2	Use	10
<b>5</b>	<b>Maintenance</b>	<b>11</b>
5.1	General maintenance	11
5.2	Servicing	11
5.3	Changing the wipe arc and park position	11
5.4	Rough determination of wipe arc and wiper blade	12
5.5	Disassembly and assembly	13
<b>6</b>	<b>Troubleshooting</b>	<b>14</b>
<b>7</b>	<b>Declaration of conformity</b>	<b>15</b>
<b>8</b>	<b>Parts list</b>	<b>16</b>
<b>9</b>	<b>Drawings and Schemes</b>	<b>17</b>
9.1	Assembly overview	17
9.2	Internal wiring diagram	18

# 1 Introduction

With this user manual we want to guide you in the installation and use of the Exalto windshield wiper. Follow all instructions and install all safety provisions.



## **1.1 Introduction**

The Exalto windshield wipers are especially designed to keep working even with the most extreme weather conditions at sea. All external parts are made of corrosion resistant materials. The housing of the self-lubricating bearings is made of bronze. All arms and blades have a black, weather-resistant coating, to prevent reflection of the sunlight.



Wiper type 223 BD is designed to be mounted in the bulkhead. The wiper arc is adjustable from 40° to 90° with steps of 5°. Standard the 223 BD can be supplied for a bulkhead thickness of 20, 35, 50 or 75 mm. The pantograph arms are adjustable in length, to set the wipe area accurately. The motor of the 223BD has IER (Insulated Earth Return).

## **1.2 Environmental factors**

In the wiper, materials are used that are harmful for the environment (e.g. copper). Upon disposal of the wiper, parts can be re-used or recycled. No harmful materials are released when using or disassembling the wiper.

## **1.3 Modified use and guarantee conditions**

All modifications or defects in the product are subject to the Orgalime General Conditions of Sale. Contact your vendor if you want to use Exalto wipers for a non-maritime environment or for another application, or in case of any doubt.

## 2 Technical data

### 2.1 General

- Product ..... Exalto windshield wiper
- Types ..... 223 BD – 12 Volt and 24 Volt
- Catalogue numbers 12V ..... 2165.30/32/35/40
- Catalogue numbers 24V ..... 2166.30/32/35/40

### 2.2 Electrical data 12 Volt

- Torque (max.) ..... 23 Nm
- Voltage ..... 12 Volt
- Current ..... 3 A
- Power consumption (max.) ..... 36 W
- Number of revolutions ..... Low 38 rpm, high 59 rpm
- Recommended cable ..... 5 wires, 1½ (16 g) or 2½ mm<sup>2</sup> (14 g)  
..... up to 10 m long
- Recommended fuse ..... 6 A slow blow
- Grounding ..... Insulated Earth Return

### 2.3 Electrical data 24 Volt

- Torque (max.) ..... 23 Nm
- Voltage ..... 24 Volt
- Current ..... 1.5 A
- Power consumption (max.) ..... 36 W
- Number of revolutions ..... Low 35 rpm, high 56 rpm
- Recommended cable ..... 5 wires, 1½ (16 g) or 2½ mm<sup>2</sup> (14 g)  
..... up to 10 m long
- Recommended fuse ..... 4 A slow blow
- Grounding ..... Insulated Earth Return

### 2.4 Mechanical data

- Dimensions ..... l x w x h = 173 x 107 x 100 mm
- Bearing diameters ..... Drive shaft Ø 20 / support shaft Ø 8 mm
- Mounting ..... In bulkhead (20, 35, 55 or 75 mm)
- Bearing ..... Bronze housing, self-lubricating
- Wiperarms ..... Model PU up to 750 mm
- Wiperblades ..... Up to 800 mm
- Wipe arc ..... Wipe arc disc 40°-90° adjustable per 5°
- Weight ..... approx. 2.3 kg

# Installation

Read the chapter on safety. Check before installation if all parts are present and undamaged. In case of errors, contact your vendor.

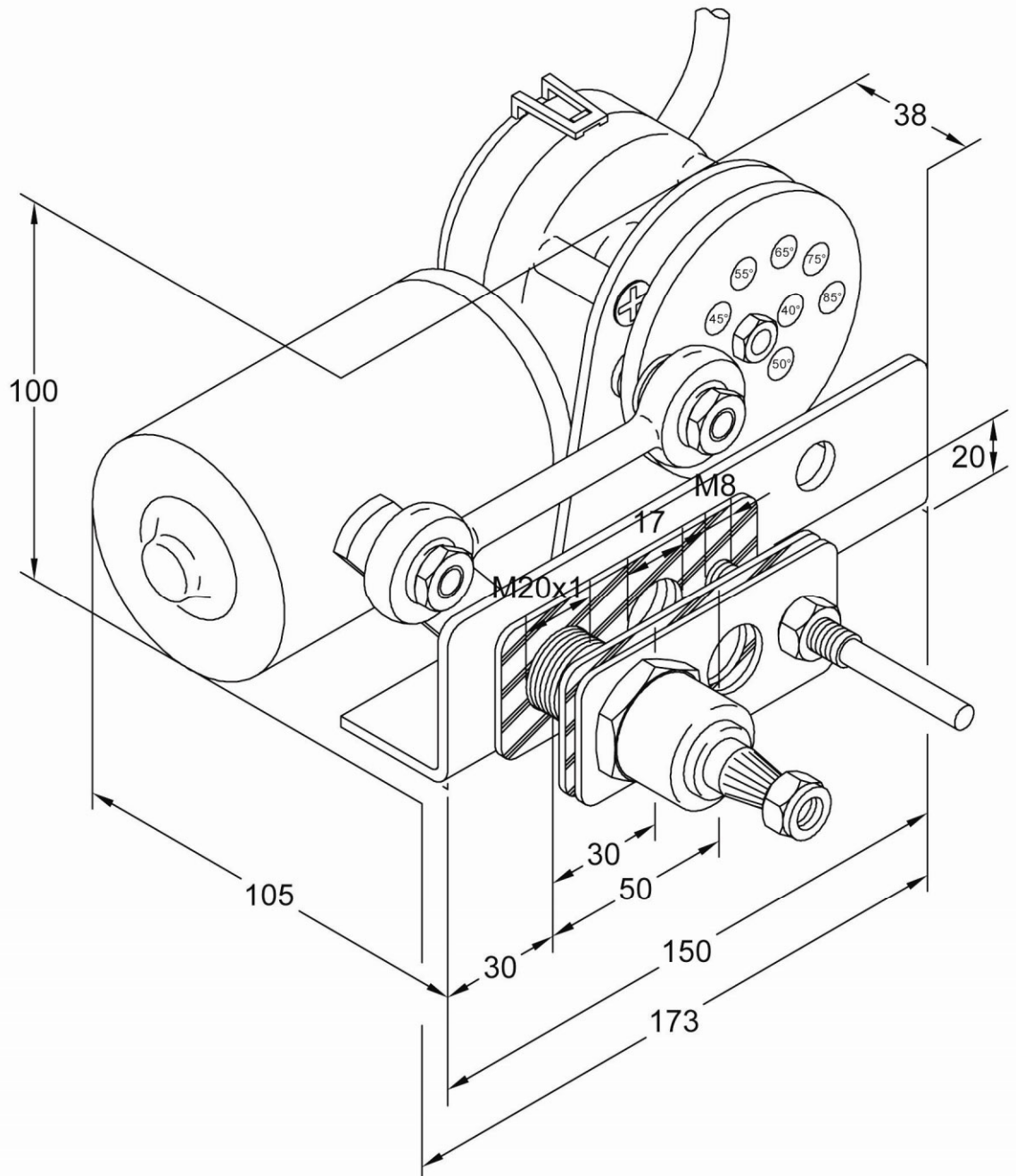
## 3.1 Preparation

The complete wiper, with packaging, can be handled and transported by hand. Leave the wiper in the packing, until you are ready to install it; this to reduce the risk of damage. Make sure all parts, tools and other means are ready.

## 3.2 Installation of mechanical parts

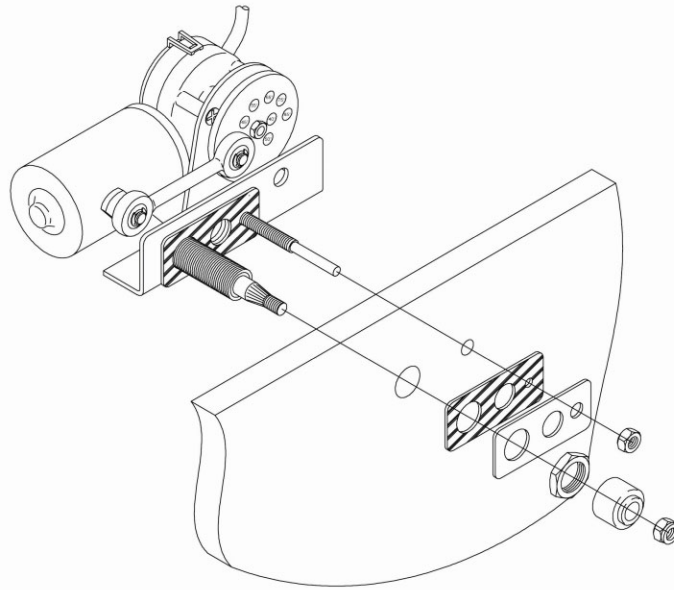
1. If your wiper is supplied with the wipe arc disc uninstalled, please follow steps 5.3 and 5.4 (pages 11-12) to set the wiping arc prior to installation.

Determine the place where the wiper is to be installed. The dimensions are shown below. The wiper can be installed in any position.



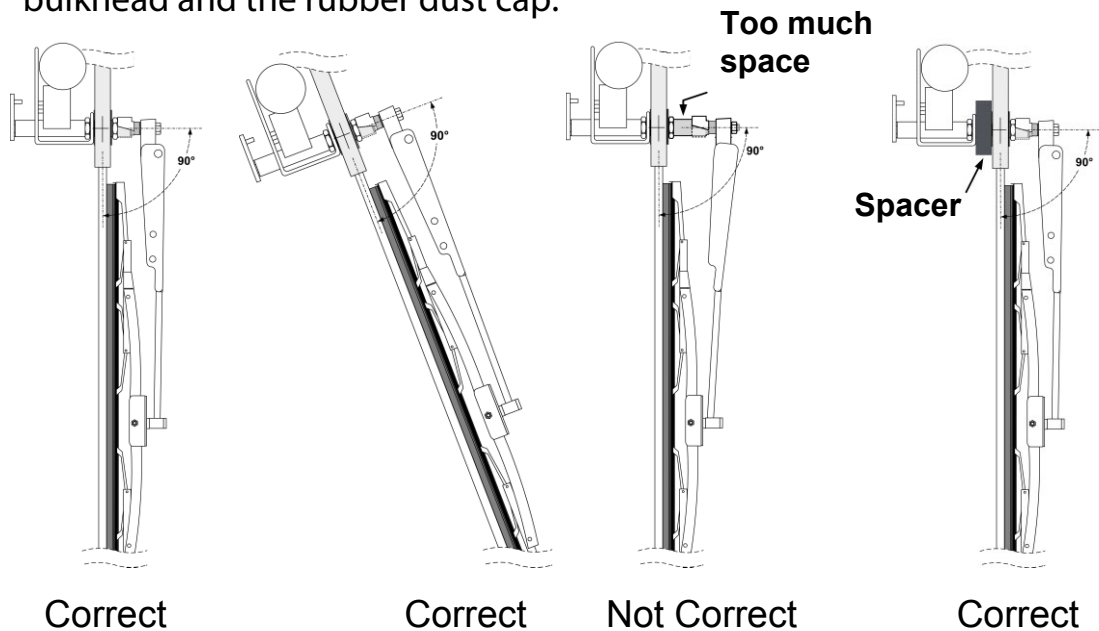
**Attention!**

When installing the wiper, reserve space for a housing or cover.



tightening torque :      25.6 Nm /      16.3 Nm /  
   18.88 ft.lbs      12.02 ft.lbs

2. Place the windshield wiper in the pre-drilled holes of the bulkhead (see above figure). A nitrile plate must be placed at both sides of the bulkhead.
3. To ensure that the arm has the right spring pressure, install the wiper arm in such a way that the shaft makes a 90° angle with the window and fuse a spacer from the inside when there is too much space between the bulkhead and the rubber dust cap.



4. Do not fit the wiper arm before finishing the electrical connections.

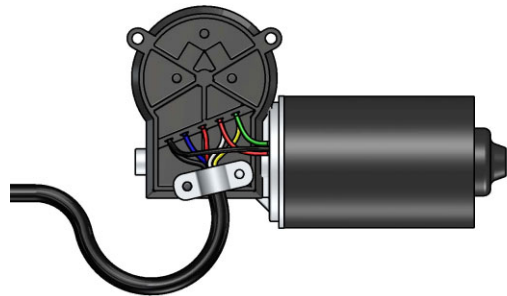


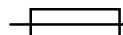
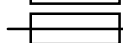
### 3.3 Electrical installation

5. Install a wiper switch in the dashboard.

#### Wiring diagram 223 BD 12/24 Volt

Colours	Function	Pol
yellow	low speed	+
black	minus/earth	-
blue	common leg	
red	selfparking	+
White	high speed	+



-  SLOW BLOW FUSE: 6A for 12V
-  SLOW BLOW FUSE: 4A for 24V

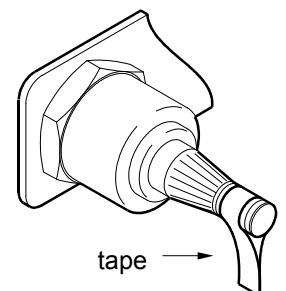
6. Connect the wiper to the ship's electrical installation; see the schemes above. Use a cable consisting of 5 wires with cross-sections of at least 1½ mm<sup>2</sup> (16 g) up to a maximum of 10 m. Use larger cross-sections when using longer cables.
7. Place a slow blow fuse of 6 A (12 Volt) or 4 A (24 Volt) in the main cable.
8. Connect a switch to the wiper (refer to that specific manual for installation).

### 3.4 Final installation

9. Test the motor briefly. Wait until the motor stops after turning off the switch. If the motor is installed correctly and a switch with park feature is used, it will stop in the park position. The standard park position is shown in the figure under point 9 (page 17).

#### **Hint!**

*If you have doubts regarding the park position, make a vane with tape to simulate the position of the arms.*



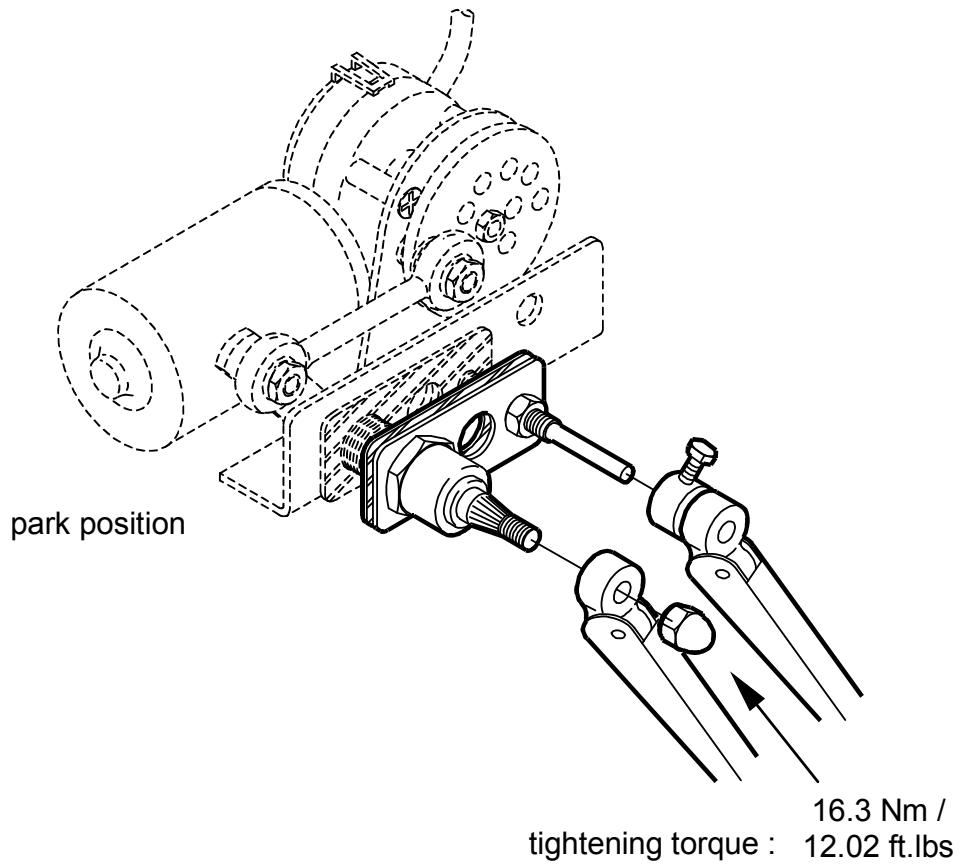
#### **Attention!**

*The 223 BD is suitable for wiper arms model PU up to 750 mm with wiper blades up to 800 mm.*

10. Place the wiper arm with the blade on the shafts. Fasten the nuts onto the shafts, but not too tight yet.

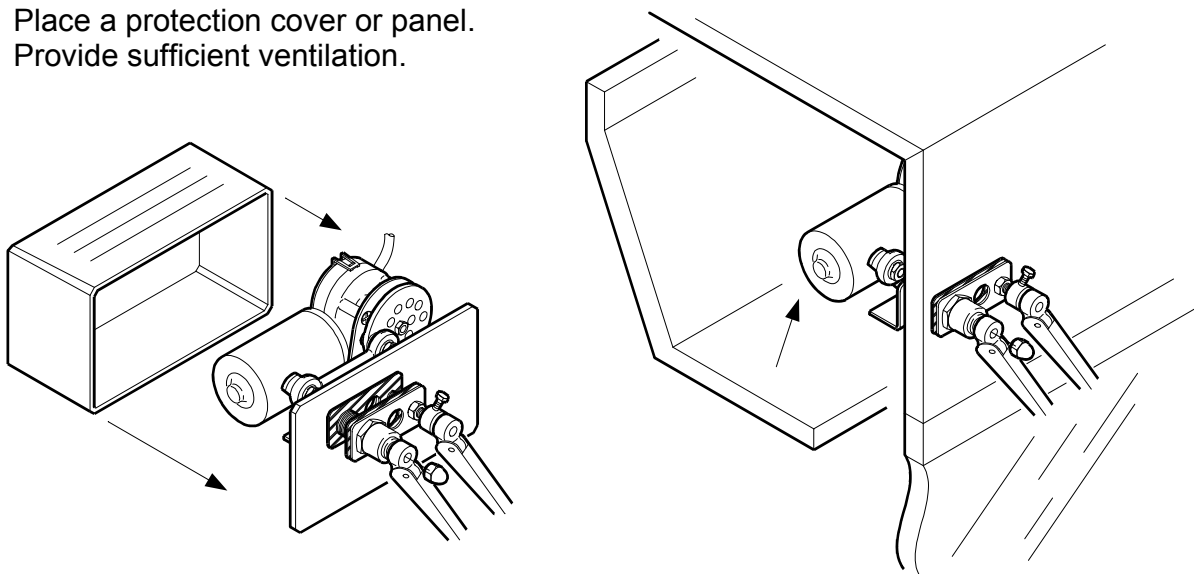
11. Test the motor again to check the wiped area.

12. If the wipe arc is correct, adjust the position and the length of the arm if necessary. Tighten the nuts properly now.



13. To complete the installation, the wiper must be enclosed by means of a panel or cover. Provide the wiper motor with sufficient ventilation.

Place a protection cover or panel.  
Provide sufficient ventilation.



## 4 Operation and use

### **4.1 Preparation for first use**

If the wiper has been installed and been adjusted, the system can be prepared for first use. We recommend a thorough inspection of the system to ensure proper operation.

Check:

- ... if there are no leaks where the shafts go through the bulkhead;
- ... if the wipe arc cleans the entire window;
- ... if the park position is correct.

If the wipe arc or the park position is wrong, adjust them again. Follow the procedure in section 5.3.

### **4.2 Use**

All Exalto windshield wipers are provided with the following functions:

- low speed;
- high speed;
- self parking.

Don't use the wiper on a dry window; excessive wear of the blades and the motor may occur in this case.

Because of the big variety of wiper switches, we refer to the user manual of the installed switch to learn about the functions of that specific switch.

# 5 Maintenance

## 5.1 General maintenance

To keep the Exalto wiper in good condition, you are advised to:

- clean wiper arms and wiper blades with fresh water after every journey in salt water (to prevent salt from clogging moving parts);
- prevent running the wiper on a dry window.

## 5.2 Servicing

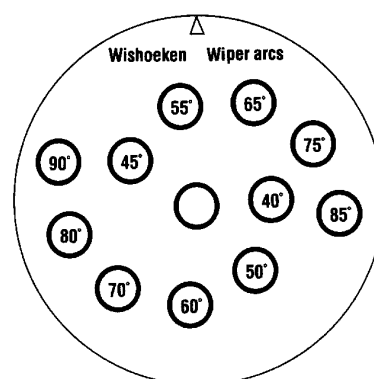
As long as the wiper system functions normally and kept in good shape (see section 5.1), servicing the motor is not necessary. Check yearly (monthly when used intensively) if the wiper blades are worn. Replace blades when worn or when the blades leave many stripes across the glass. In case of failure or adjustments, have servicing done solely by qualified mechanics. In chapter 6, "Troubleshooting", a listing is given of possible problems.

## 5.3 Changing the wipe arc and park position

If the wiped area is not optimal, the wipe arc and park position can be changed. Always disconnect the power supply before opening the housing.

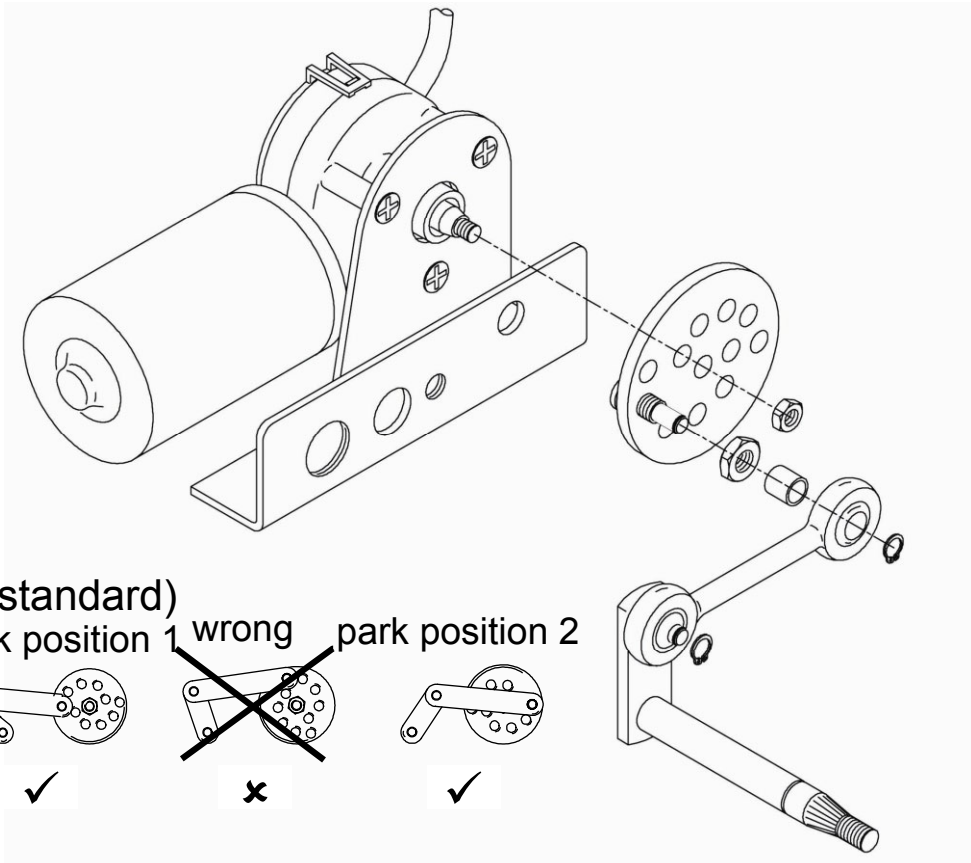
### Adjusting the wipe arc

- Disconnect the power supply;
- remove the wiper from the bulkhead;
- remove the wipe arc disc (see figure on the right) from the motor-shaft;
- relocate the pin into the hole of the desired wipe arc (see section 5.4);
- run the motor briefly to park it;
- move the disc to the desired park position (see the text below).



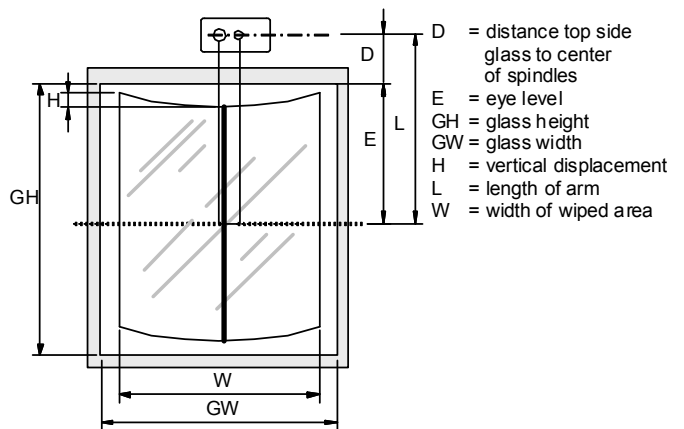
### Adjusting the park position

- Place the disc on the shaft, parking right or left (see the drawing in paragraph 3.4, and the next page for reference);
- place the disc in such a way that the connection lever forms an almost straight line with the pin and the central hole of the disc (see the drawing below);
- tighten the disc well;
- mount the wiper-motor assembly;
- adjust the wiper arm to the correct length, if necessary.

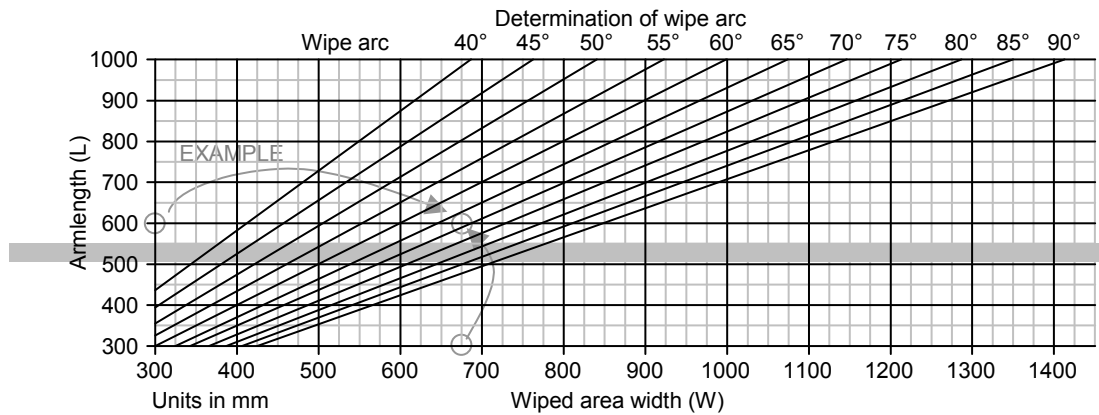


### 5.4 Rough determination of wipe arc and wiper blade

With this method the wipe arc, lengths of the wiper blade and wiper arm can be determined roughly. Contact your vendor to calculate your configuration more accurately.



- Determine length of pantograph arm (L):  $L = E + D$
- get the maximum wiped area width (W):  $W = \pm 0.9 * GW$
- find the intersection of L and W in the diagram below;





## 6 Troubleshooting



In this chapter, several malfunctions are mentioned combined with possible causes. Please leave servicing to qualified mechanics.

### 6.1 *Wiper does not work after switching on*

- Possible causes:
  1. Wiper switch is not working properly.
  2. Burned fuse.
  3. Electrical connections are incorrect or damaged.
  4. The wiper motor has failed.
- Solutions:
  1. Test and replace it.
  2. Check if the current is (and keeps being) too high. (See solution 1).
  3. Measure the voltage across the motor and check all connections if there is none.
  4. Replace the motor and check for drag or a high current.

### 6.2 *Wiped area or park position not correct*

- Possible causes:
  1. The wiper arms were placed without parking the motor first.
  2. The wipe arc is set wrong or changed due to high loads (e.g. spring pressure of arms too high, drag).
  3. The wires are connected incorrectly.
- Solutions:
  1. Remove the wiper arms. Run the motor shortly to park it and re-install the arms according to chapter 3.
  2. Determine the wipe arc if needed (see section 5.4) and set the wipe arc again (see chapter 5.3).
  3. Check and reconnect the wiring (see the scheme in section 3.3).

### 6.3 *Motor runs, but arms do not move*

- Possible causes:
  1. Mechanical joints are loose.
  2. Parts are broken.
  3. Grooves of shafts are worn.
- Solutions:
  1. Check if the arms are well fastened. If not, open the housing (follow instructions of chapter 5) and check all joints and parts to see if they are loose, broken or worn.

## 7 Declaration of conformity

### MANUFACTURER'S DECLARATION

In accordance to Appendix II sub B of Directive 89/392/EEG (Machines)

#### **Exalto B.V.**

Nijverheidsstraat 12

3371 XE Hardinxveld-Giessendam

The Netherlands

**T** +31 (0)184-61.58.00

**F** +31 (0)184-61.40.45

hereby declares that

#### ***Exalto windshield wiper type 223 BD***

... is intended to be built into another machine or as a component, or is to be integrated with other machines to a machine where Directive 89/392/EEG applies to;

... **does not** fully comply to the requirements of mentioned Directive;

... complies to the following harmonised standards:

#### *Pleasure yachts*

- NEN-EN-ISO 10133 Extra-low voltage D.C. installations (1997)  
(regarding colour codes)

...and declares that the sub-assembly in question shall not be set into operation until the complete machine, into which the sub-assembly is fitted, shall be complete and conforms to all aspects of Directive 89/392/EEG.

Hardinxveld-Giessendam

4-22-2011 (m-d-y)



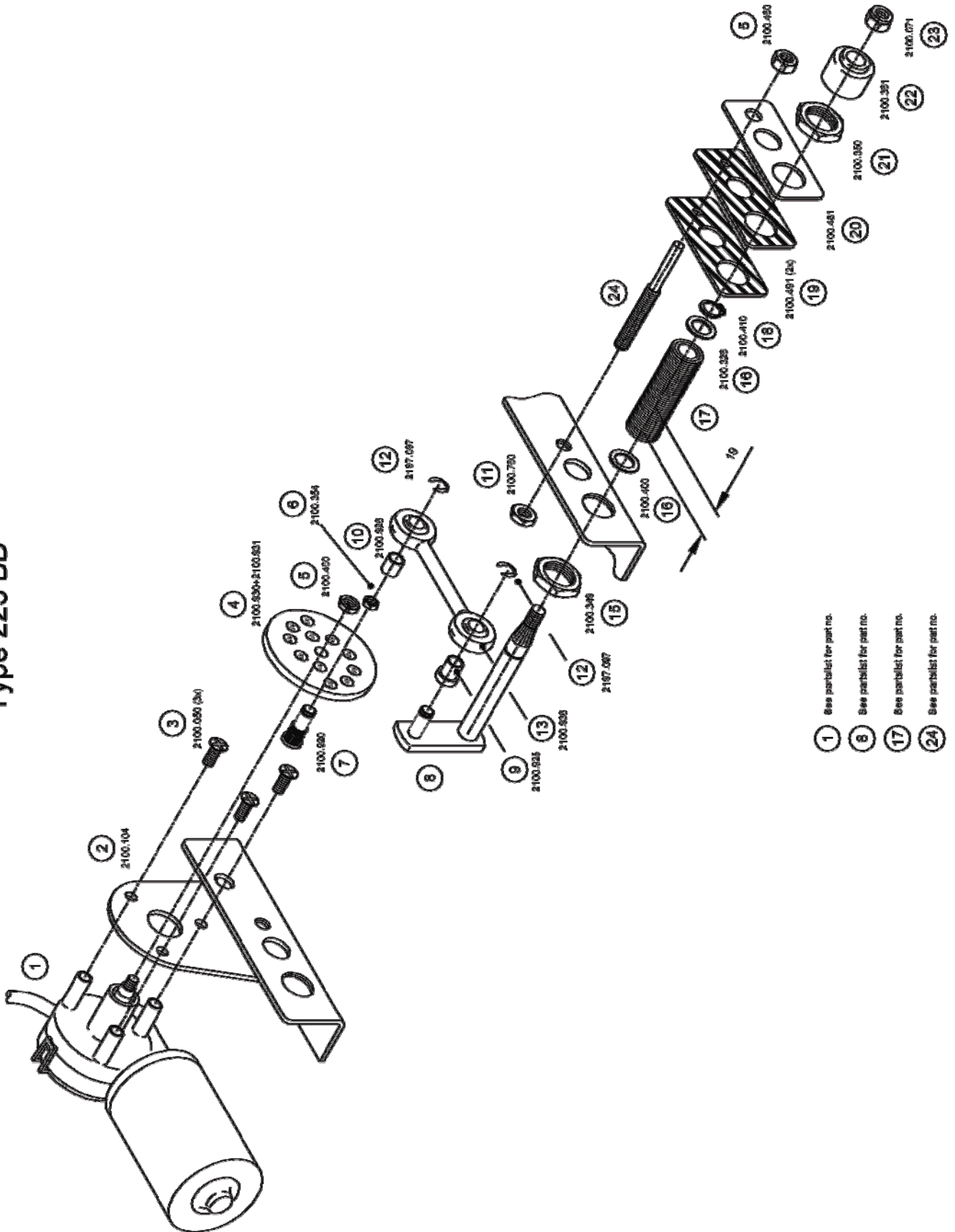
## 8 Parts list

No	Qua	Part	Dimensions	Cat. no.
1	1	Motor 12 V 23 Nm	180x105x85	2100.2312
		Motor 24 V 23 Nm	180x105x85	2100.2324
2	1	Wiper housing for 223 BD	150x90x40	2100.104
3	3	Cross recessed countersunk head screw (DIN 965)	M6x16	2100.050
4	1	Wipe arc disc	Ø70x5	2100.930
	1	Sticker for Wipe arc disk		2100.931
5	2	Nut s.s. (DIN 934)	M8	2100.460
	1	Nut s.s.	M8*5	2100.355
6	1	Nut s.s.	M10*6.5	2100.354
7	1	Connecting pin	M8x26	2100.920
8	1	Shaft with lever, bh 20 mm	Ø12x102	2100.364
		Shaft with lever, bh 35 mm	Ø12x117	2100.360
		Shaft with lever, bh 55 mm	Ø12x137	2100.366
		Shaft with lever, bh 75 mm	Ø12x157	2100.368
9	1	Sleeve-bearing bush, plastic	13x14	2100.925
10	1	Bearing bush	10x10	2100.926
11	1	Nut s.s. flat	M8x4	2100.760
12	2	Retaining ring	Ø 6mm	2197.097
13	1	Push rod	110x24x10	2100.936
15	1	Nut s.s.	M20	2100.349
16	2	Plain washer s.s.	18x12x1	2100.400
17	1	Bearing house, bh 20 mm	M20x65	2100.326
		Bearing house, bh 35 mm	M20x80	2100.321
		Bearing house, bh 55 mm	M20x100	2100.327
		Bearing house, bh 75 mm	M20x120	2100.328
18	1	Retaining ring for shaft	12x4	2100.410
19	2	Gasket, rubber	90x45x3	2100.491
20	1	Gasket, s.s.	90x45x3	2100.481
21	1	Nut s.s.	M20	2100.350
22	1	Dust cap, rubber	Ø26x20	2100.361
23	1	Nut s.s., nylock A4	M8	2100.071
24	1	Support shaft, bh 20 mm	M8x75	2100.446
		Support shaft, bh 35 mm	M8x90	2100.441
		Support shaft, bh 55 mm	M8x110	2100.447
		Support shaft, bh 75 mm	M8x130	2100.448

# 9 Drawings and Schemes

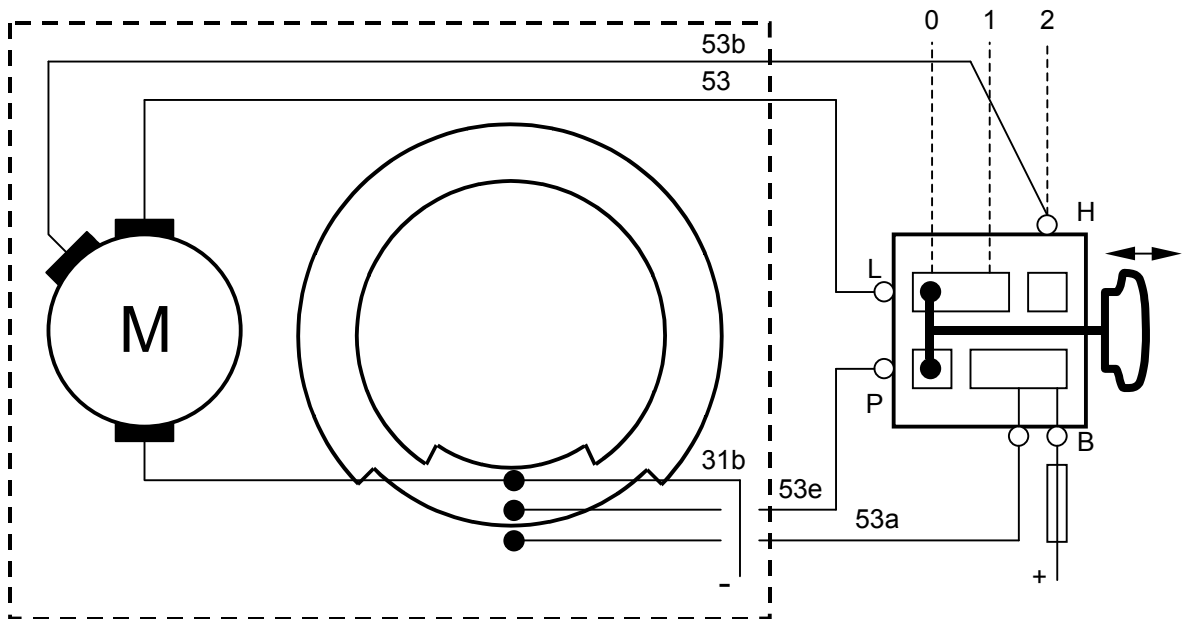
## 9.1 Assembly overview

Type 223 BD



## 9.2 Internal wiring diagram

The following diagram explains the way the wiper motor works.



Function	Polarity	Motor code	Switch code	Cable 12/24V
high speed	+	53b	H	white
low speed	+	53	L	yellow
earth	-	31b		black
common leg		53e	P	blue
Self-parking	+	53a	B	red

# Exalto

- P.O. Box 40  
3370 AA Hardinxveld-Giessendam  
The Netherlands
- T +31 (0)184 615800
- F +31 (0)184 614045
- E [sales@exalto.com](mailto:sales@exalto.com)
- I [www.exalto.com](http://www.exalto.com)