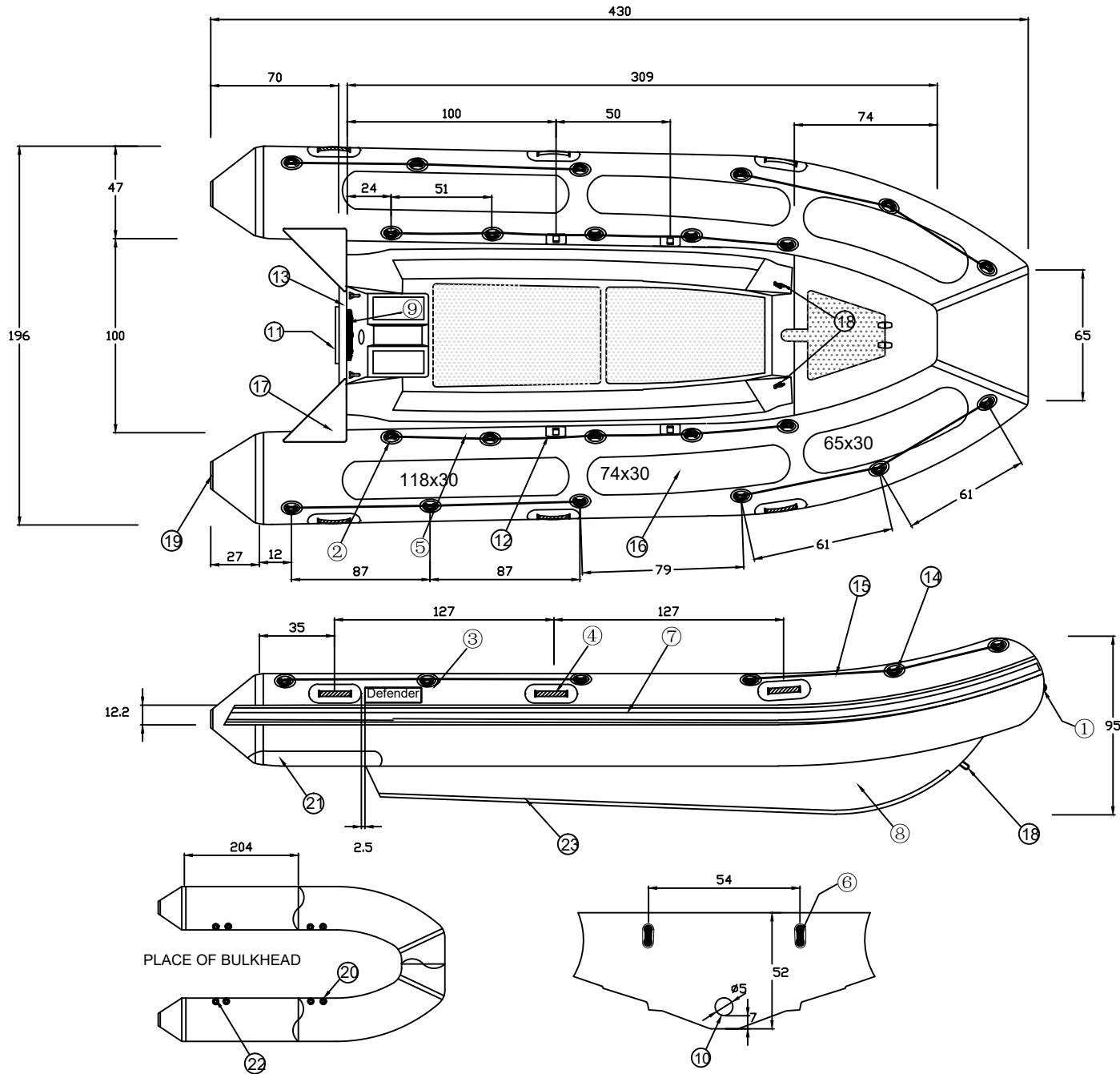


Defender RIB430 CSM



01) BOW HANDLE (LIFTING HANDLE)	1 pc
02) M-D-RING	10 pcs
03) SIDE LOGO	2 pcs
04) LIFTING HANDLE	6 pcs
05) INNER LIFELINE	2 pcs
06) U-BOLT ASSEMBLY	2 pcs
07) RUB STRAKE	1 pc
08) FRP	1 pc
09) TRANSOM PAD	1 pc
10) DRAIN PLUG	1 pc
11) TRANSOM PLATE	1 pc
12) PADDLE RETAINER	4 pcs
13) TRANSOM COVER	1 pc
14) L- D-RING	12 pcs
15) OUTER LIFELINE	4 pcs
16) ANTI CHAFFING GUARD	6 pcs
17) SPLASH GUARD	2 pcs
18) U-BOLT	3 pcs
19) CONE	2 pcs
20) VALE	4 pcs
21) Reinforcing R/Strake	2 pcs
22) OP.VALVE	4 pcs
23) RUB STRAKE FOR FRP	1 pc

NOTES: ALL DIMENSIONS IN CM

All dimension measurements indicated have a tolerance of $\pm 2.5\%$

Defender[®]
Marine Outfitters of Choice Since 1938