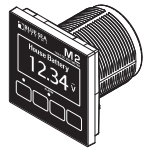


M2 OLED Digital Monitor

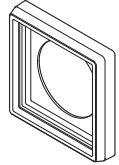
QuickStart Installation Guide

1833 DC Voltmeter

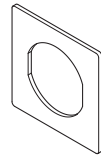
Components Included



M2 Head Unit



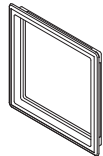
Surface Mount Bezel and Seal



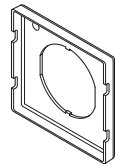
Surface Mount Gasket



Surface Mount Cover



Flat Mount Bezel



Flat Mount Clamp



Mounting Ring



Mounting Nut

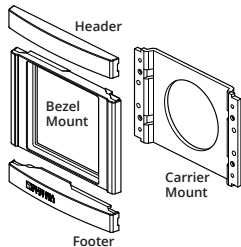


Connector



Screwdriver
(retail package only)

360 Panel Mounting Kit 1525 (sold separately)



#6-32 x 1/4" Flat Head Machine Screws (4X)

#6-32 x 3/8" Flat Head Machine Screws (4X)

USB	Micro USB Port
8 Pin Connector*	Function
1 Required Connection	DC Negative
2 Required Connection	DC Supply/Battery 3 +
3	Relay Output
4	Relay Supply/Battery 4 +
5	Battery 2 -
6	Battery 2 +
7	Battery 1 -
8	Battery 1 +

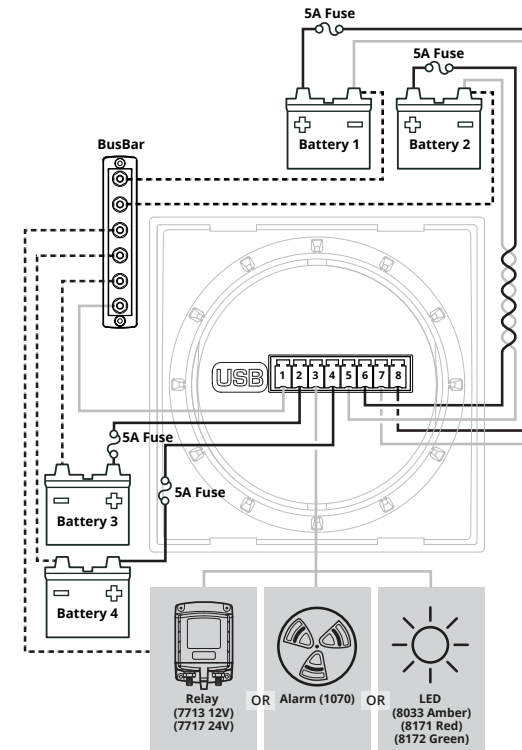
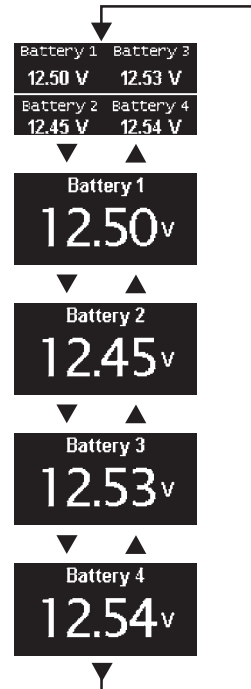
*The 8 pin low voltage connector supports wire sizes from 16-26 AWG

M2 Meter Navigation

Screen Menu Functions

Press any button to bring up the menu.

1. After start-up, press any button to access the menu.
2. Press the UP or DOWN arrow buttons to scroll through menu windows.
3. To set alarms and for more detailed information, see the online manual at blueseasystems.com/products/1833

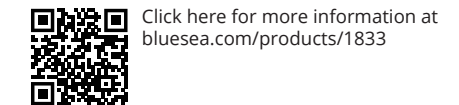


For the online manual that includes other configurations, go to blueseasystems.com/products/1833

1. Choose meter mounting style and location.
2. Prepare mounting hole using cutout templates.
3. Using wiring diagram:
 - Install busbar, if needed.
 - Make all connections to the meter's connector.
 Do not put fuses into fuse holders at this time.
4. Plug wired connector into the meter.
5. Insert fuses into fuse holders, making the fuse to Pin 2 (DC Supply/Battery 3+) Last.

Basic Meter Setup

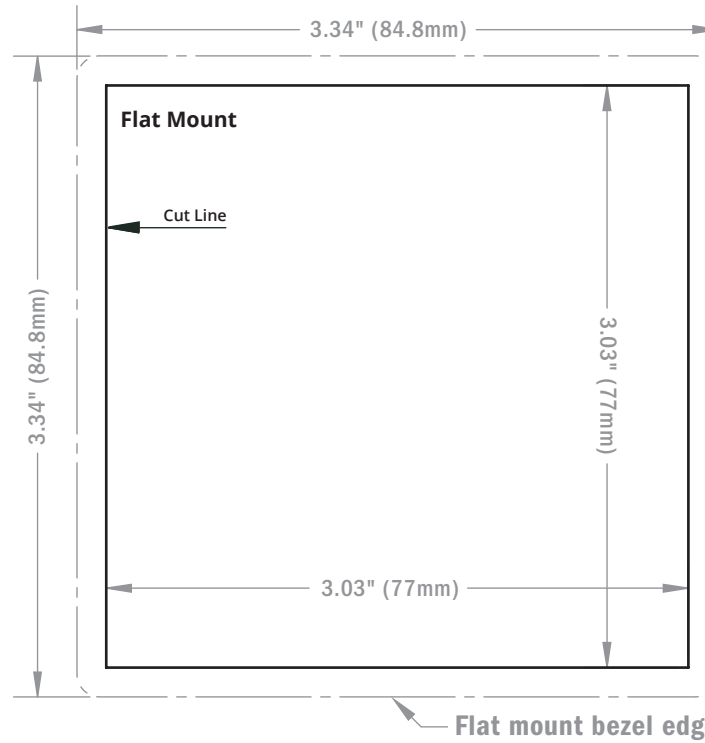
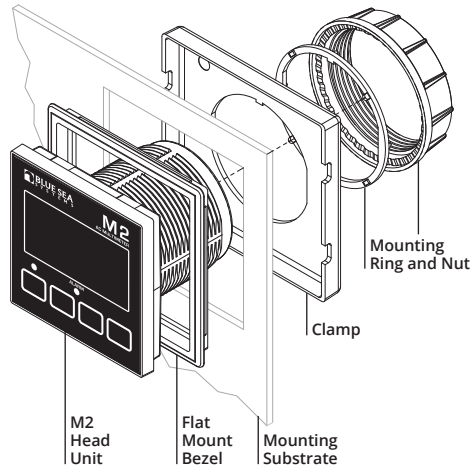
1. No special setup is required, however you may want to turn off unused inputs to prevent them from being displayed.
2. To do this, go to the Setup Menu.
3. Scroll to the unused Inputs (DC1, DC2, DC3, or DC4).
4. Set Enabled to OFF.
5. For more detailed information, or instructions regarding Alarm or Relay setup, see the full instructions found at blueseasystems.com/products/1833.



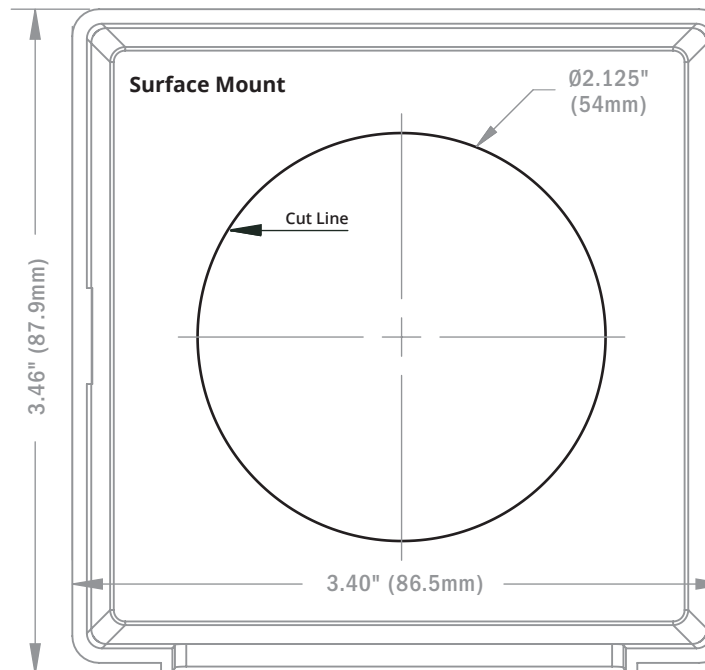
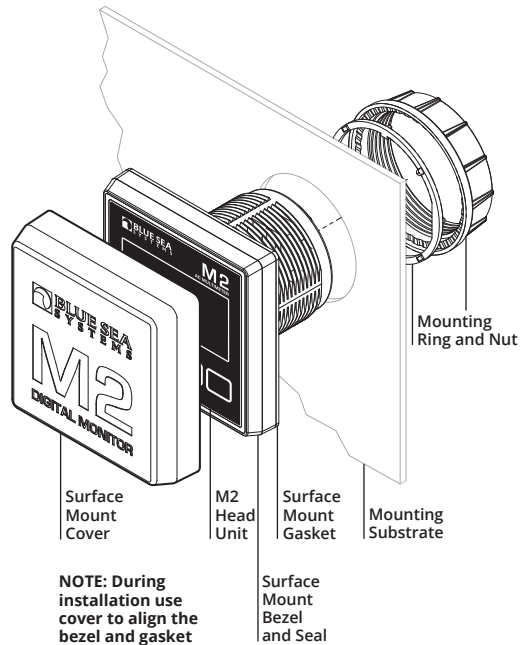
Mounting Options

Mounting Templates

Flat Mount



Surface Mount



⚠ WARNING

The WARNING symbol refers to possible injury to the user or significant damage to the monitor if the user does not follow the procedures.

⚠ CAUTION

The CAUTION symbol refers to restrictions and rules with regard to preventing damage.

⚠ WARNING

- ☑ If you are not knowledgeable about electrical systems, have an electrical professional install this unit. The diagrams in these instructions pertain to the installation of the unit and not to the overall wiring of the vessel.
- ☑ Verify that no other DC or AC sources are connected to the vessel's wiring before installing the unit.

⚠ CAUTION

- ☑ The back of the unit is not waterproof. Do not install where the back of the monitor is exposed to water.

Warranty

The M2 OLED Digital Meters come with a 5 year manufacturer's warranty. This means the meter is warranted to be free from defects in materials or workmanship for 5 years from the date of first purchase. The warranty is limited solely to the cost of repair or replacement of the M2 Meter product. Costs associated with labor or shipping of the defective parts are not covered. Blue Sea Systems cannot accept liability for damage due to the misuse of the M2 Meter.