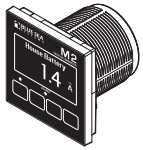


M2 OLED Digital Monitor

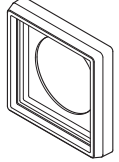
QuickStart Installation Guide

1832 DC Ammeter

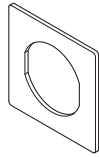
Components Included



M2 Head Unit



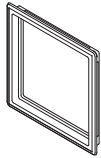
Surface Mount Bezel and Seal



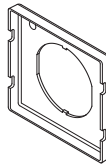
Surface Mount Gasket



Surface Mount Cover



Flat Mount Bezel



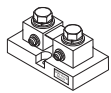
Flat Mount Clamp



Mounting Ring



Mounting Nut



PN 8255 Shunt (1X)

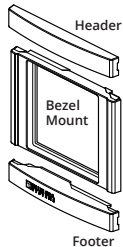


Connector

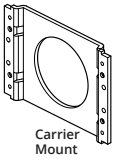


Screwdriver (retail package only)

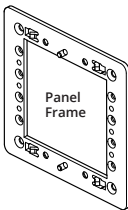
360 Panel Mounting Kit 1525 (sold separately)



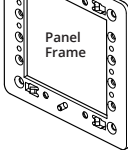
Header



Bezel Mount



Carrier Mount



Panel Frame



#6-32 x 1/4" Flat Head Machine Screws (4X)



#6-32 x 3/8" Flat Head Machine Screws (4X)

blueseasystems.com/products/1832

Connector Pin Assignment

USB 8 Pin Connector*	Micro USB Port Function
1 <i>Required Connection</i>	DC Negative
2 <i>Required Connection</i>	DC Supply
3	Relay Output
4	Relay Supply
5	Shunt 1 -
6	Shunt 1 +
7	Shunt 2 -
8	Shunt 2 +

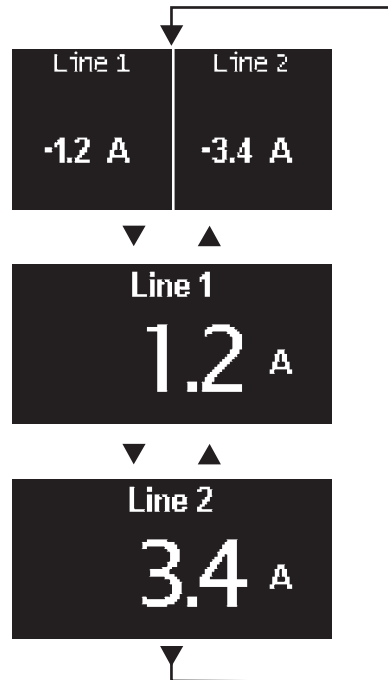
*The 8 pin low voltage connector supports wire sizes from 16-26 AWG

M2 Meter Navigation

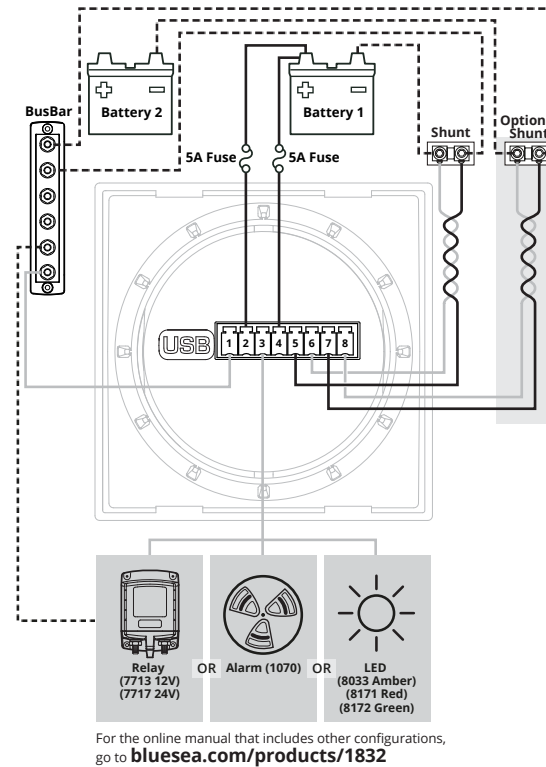
Screen Menu Functions

Press any button to bring up the menu.

- After start-up, press any button to access the menu.
- Press the UP or DOWN arrow buttons to scroll through menu windows.
- To set alarms and for more detailed information, see the online manual at blueseasystems.com/products/1832



System Overview



For the online manual that includes other configurations, go to blueseasystems.com/products/1832

Installation Steps

- Choose meter mounting style and location.
- Prepare mounting hole using cutout templates.
- Using wiring diagram:
 - Install provided 500A/50mV Shunt.
 - Install busbar, if needed.
 - Make all connections to the meter's connector. Do not put fuses into fuse holders at this time.
- Plug wired connector into the meter.
- Insert fuses into fuse holders, making the fuse to Pin 2 (DC Supply) Last.

Basic Meter Setup

- If using the included 8255 500A/50mV shunt, no setup is required.
- If you are only monitoring one shunt, you may want to shut off the other input.
- To do this, go to the Setup Menu.
- Scroll to the unused input (either DC1 or DC2).
- Set Enabled to OFF.
- For more detailed information or instructions regarding Alarm Setup, Relay Setup, or using a different sized shunt, see the full instructions found at blueseasystems.com/products/1832.

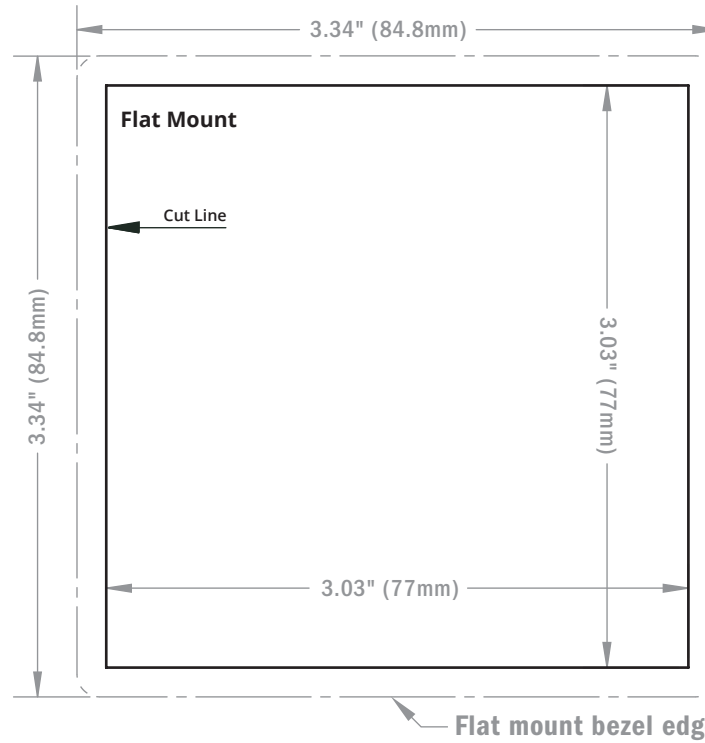
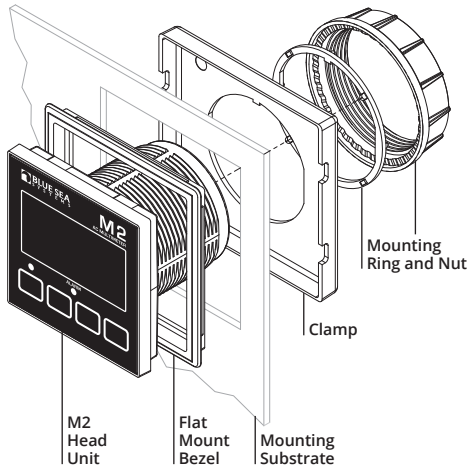


Click here for more information at blueseasystems.com/products/1832

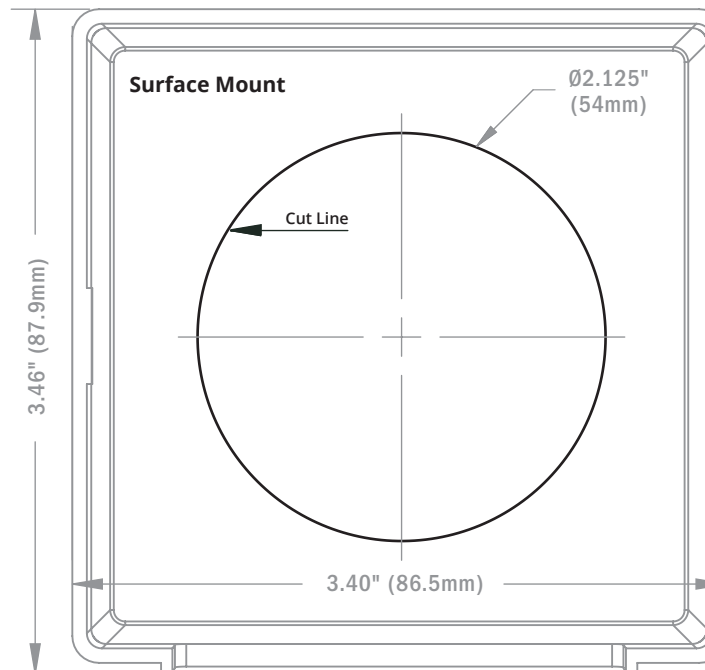
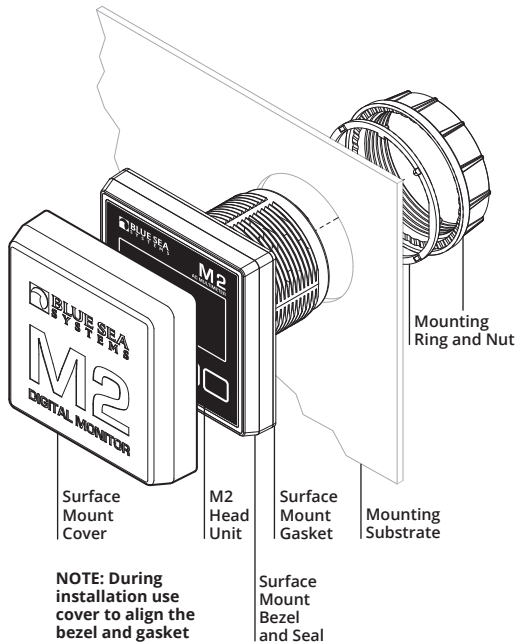
Mounting Options

Mounting Templates

Flat Mount



Surface Mount



⚠ WARNING

The WARNING symbol refers to possible injury to the user or significant damage to the monitor if the user does not follow the procedures.

⚠ CAUTION

The CAUTION symbol refers to restrictions and rules with regard to preventing damage.

⚠ WARNING

- ☑ If you are not knowledgeable about electrical systems, have an electrical professional install this unit. The diagrams in these instructions pertain to the installation of the unit and not to the overall wiring of the vessel.
- ☑ Verify that no other DC or AC sources are connected to the vessel's wiring before installing the unit.

⚠ CAUTION

- ☑ The back of the unit is not waterproof. Do not install where the back of the monitor is exposed to water.

Warranty

The M2 OLED Digital Meters come with a 5 year manufacturer's warranty. This means the meter is warranted to be free from defects in materials or workmanship for 5 years from the date of first purchase. The warranty is limited solely to the cost of repair or replacement of the M2 Meter product. Costs associated with labor or shipping of the defective parts are not covered. Blue Sea Systems cannot accept liability for damage due to the misuse of the M2 Meter.