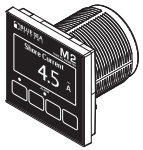


# M2 OLED Digital Monitor

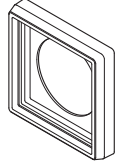
## QuickStart Installation Guide

### 1838 AC Multimeter

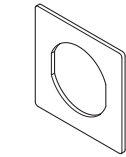
#### Components Included



M2 Head Unit



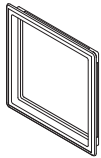
Surface Mount Bezel and Seal



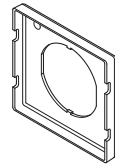
Surface Mount Gasket



Surface Mount Cover



Flat Mount Bezel



Flat Mount Clamp



Mounting Ring



Mounting Nut



AC Current Transformer 8256 (1X)

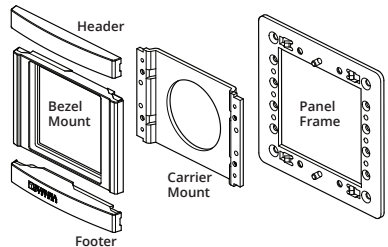


Connector



Screwdriver (retail package only)

#### 360 Panel Mounting Kit PN 1525 sold separately



#6-32 x 1/4" Flat Head Machine Screws (4X)

#6-32 x 3/8" Flat Head Machine Screws (4X)

[blueseasystems.com/products/1838](http://blueseasystems.com/products/1838)

## Connector Pin Assignment

### Connector Pin Assignment Table

USB Connector	Micro USB Port Function
1	AC Voltage 1 - HOT
2	AC Voltage 1 - NEUTRAL
3	AC Voltage 2 - NEUTRAL
4	AC Voltage 2 - HOT
1	DC Ground
2	DC Supply (8V-70V)
3	Relay Output
4	Relay Supply
5	AC1 Amps
6	AC1 Amps
7	AC2 Amps
8	AC2 Amps

## M2 Meter Navigation

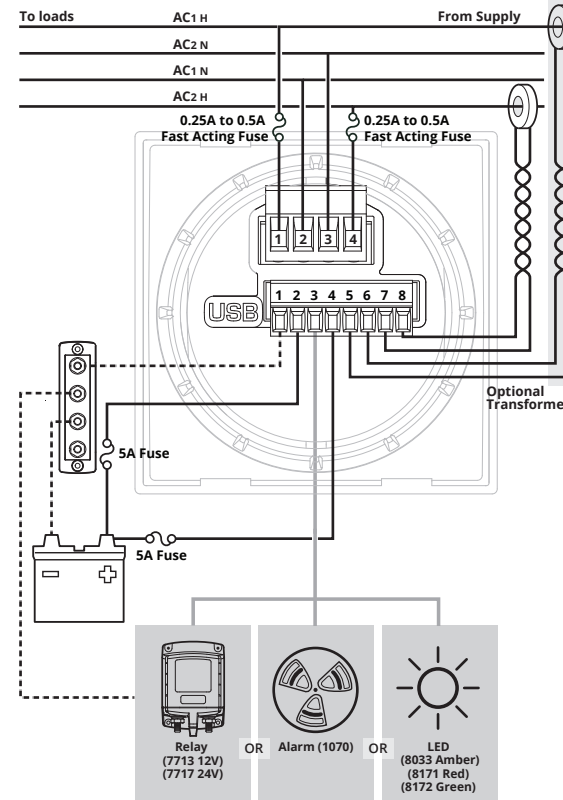
### Screen Menu Functions

Press any button to bring up the menu.

1. After start-up, press any button to access the menu.
2. Press the UP or DOWN arrow buttons to scroll through menu windows.
3. To set alarms and for more detailed information, see the online manual at [blueseasystems.com/products/1838](http://blueseasystems.com/products/1838)

## System Overview

### 1838 AC Multimeter Connections

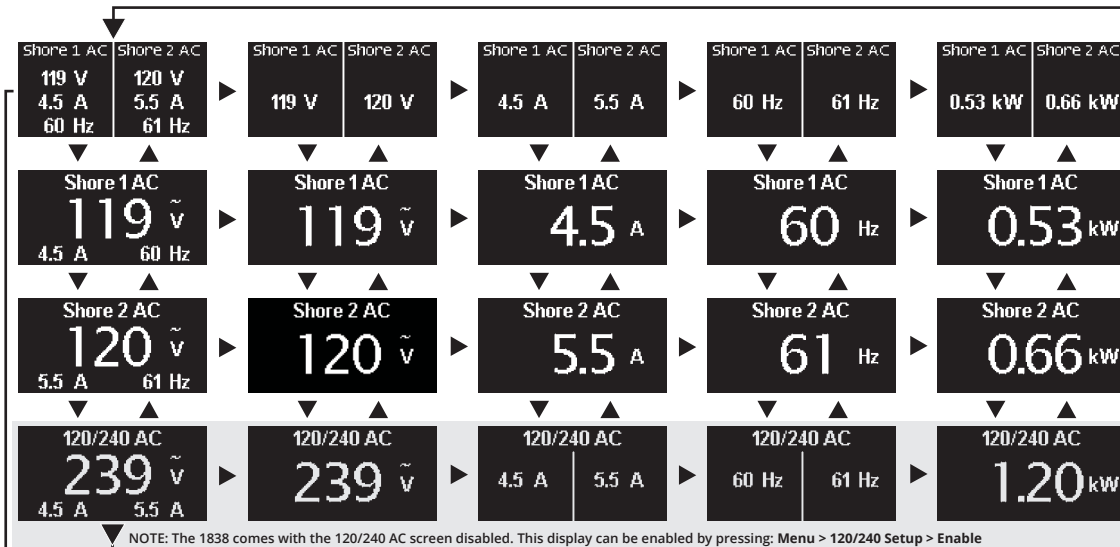


## Installation Steps

1. Choose meter mounting style and location
2. Turn on AC Power
3. Prepare mounting hole using cutout templates
4. Using wiring diagram:
  - Install provided 150A/50mA Current Transformer.
  - Make all connections to the meter's connector.
  - Do not put fuses into fuse holders at this time.
5. Plug wired terminal block into the meter
6. Insert fuses into fuse holders, making the fuse to Pin 2 (DC Supply) Last.
7. Turn on AC Power.

## Basic Meter Setup

1. If using the included 150A/50mA Current Transformer, no setup is required.
2. If you are only monitoring one AC Line, you may want to turn off the unused inputs to prevent them from being displayed.
3. For information regarding advanced setup options, see the full instructions on our website.



NOTE: The 1838 comes with the 120/240 AC screen disabled. This display can be enabled by pressing: Menu > 120/240 Setup > Enable

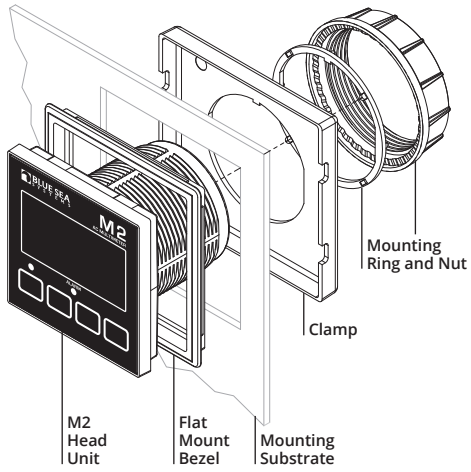


Click here for more information at [blueseasystems.com/products/1838](http://blueseasystems.com/products/1838)

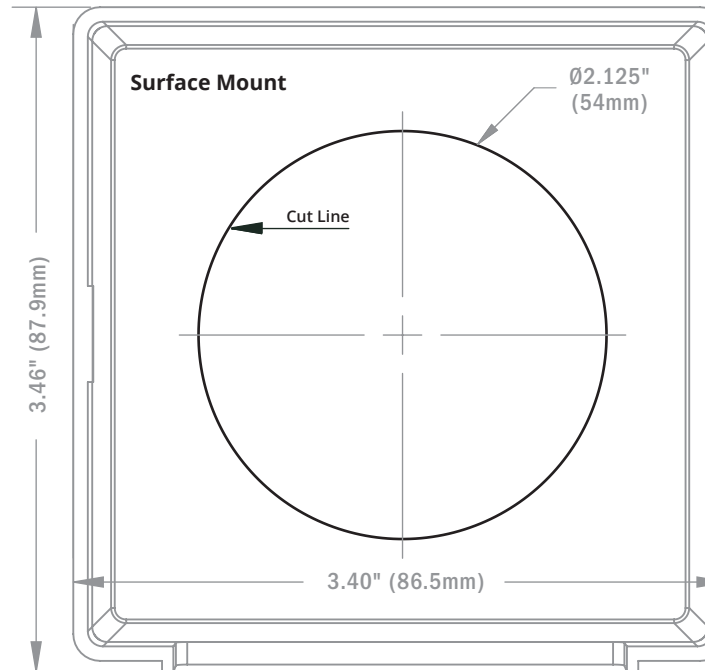
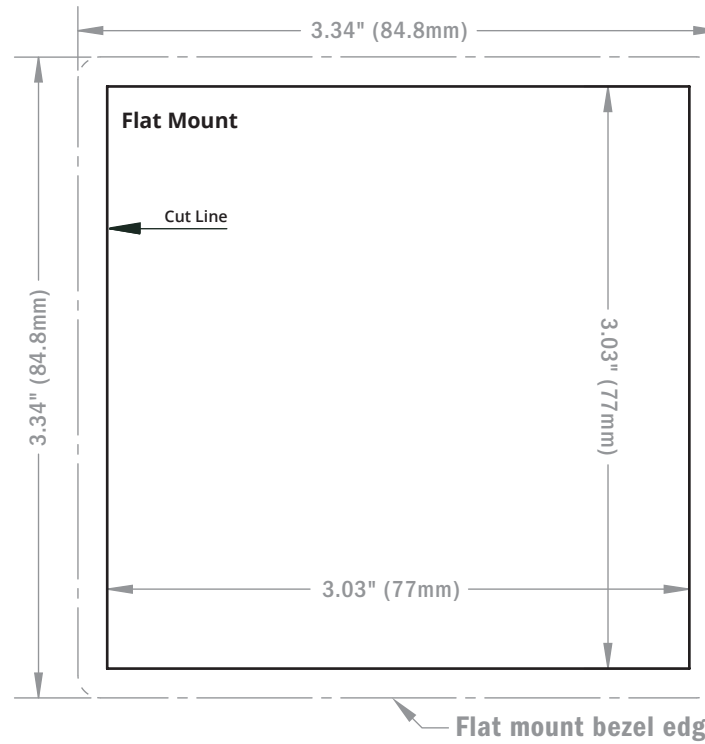
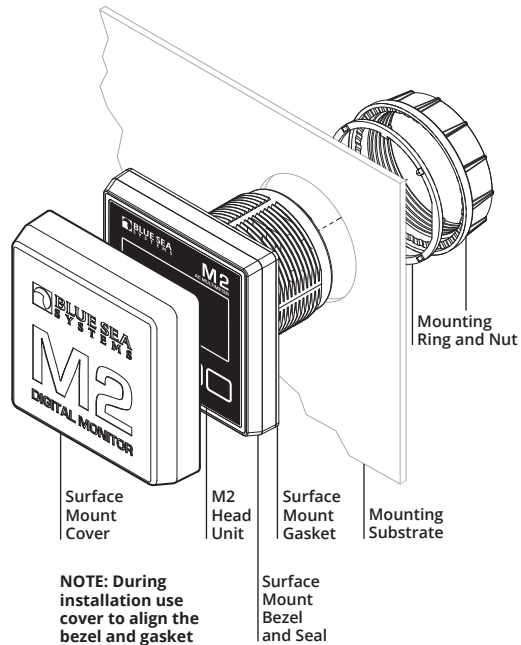
# Mounting Options

# Mounting Templates

## Flat Mount



## Surface Mount



### **⚠ WARNING**

The WARNING symbol refers to possible injury to the user or significant damage to the monitor if the user does not follow the procedures.

### **⚠ CAUTION**

The CAUTION symbol refers to restrictions and rules with regard to preventing damage.

### **⚠ WARNING**

- ☑ If you are not knowledgeable about electrical systems, have an electrical professional install this unit. The diagrams in these instructions pertain to the installation of the unit and not to the overall wiring of the vessel.
- ☑ Verify that no other DC or AC sources are connected to the vessel's wiring before installing the unit.

### **⚠ CAUTION**

- ☑ The back of the unit is not waterproof. Do not install where the back of the monitor is exposed to water.

## Warranty

The M2 OLED Digital Meters come with a 5 year manufacturer's warranty. This means the meter is warranted to be free from defects in materials or workmanship for 5 years from the date of first purchase. The warranty is limited solely to the cost of repair or replacement of the M2 Meter product. Costs associated with labor or shipping of the defective parts are not covered. Blue Sea Systems cannot accept liability for damage due to the misuse of the M2 Meter.