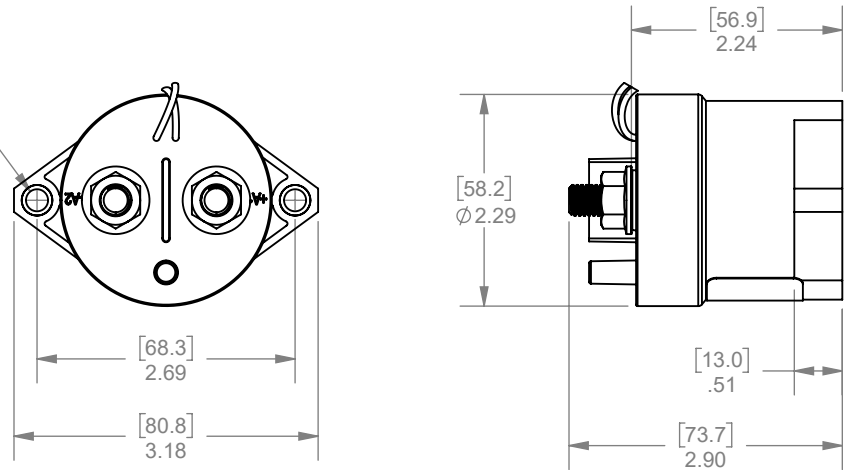


THIS DRAWING AND THE INFORMATION CONTAINED WITHIN IT ARE CONFIDENTIAL AND MAY NOT BE COPIED OR DISCLOSED WITHOUT THE WRITTEN PERMISSION OF BLUE SEA SYSTEMS.

| REVISIONS | | | | |
|-----------|------|-----------------|-----------|-------------|
| ZONE | REV. | DESCRIPTION | DATE | APPROVED |
| | 001 | INITIAL RELEASE | 2021.3.16 | S. SCHANKEN |

MOUNTING HOLE FOR #10 OR M5 SCREW



SPECIFICATIONS SUBJECT TO CHANGE

| | | | | |
|--|---------|-------|-----------|-----------------------|
| DIMENSIONS ARE SHOWN IN INCHES AND [MILLIMETERS] UNSPECIFIED TOLERANCES ARE: | | | NAME | DATE |
| ANGLES | INCH | MM | DRAWN | S. SCHANKEN 2021.3.16 |
| ±0°30' | .00±.02 | .0±.6 | CHECKED | - - |
| | | | | |
| | | | | |
| MATERIAL | -- | | COMMENTS: | |
| FINISH | -- | | | |
| DO NOT SCALE DRAWING | | | | |

BLUE SEA SYSTEMS
 4600 Ryzex Way Bellingham, WA 98226
 Phone (360)738-8230 Fax (360)734-4195

Solenoid L 150A 12-24V

Part Number 7765

| | | |
|-----------|------------|--------------|
| SIZE | DWG. NO. | REV. |
| A | 7765 | 001 |
| SCALE 1:2 | WEIGHT: -- | SHEET 1 OF 1 |

THIRD ANGLE PROJECTION

