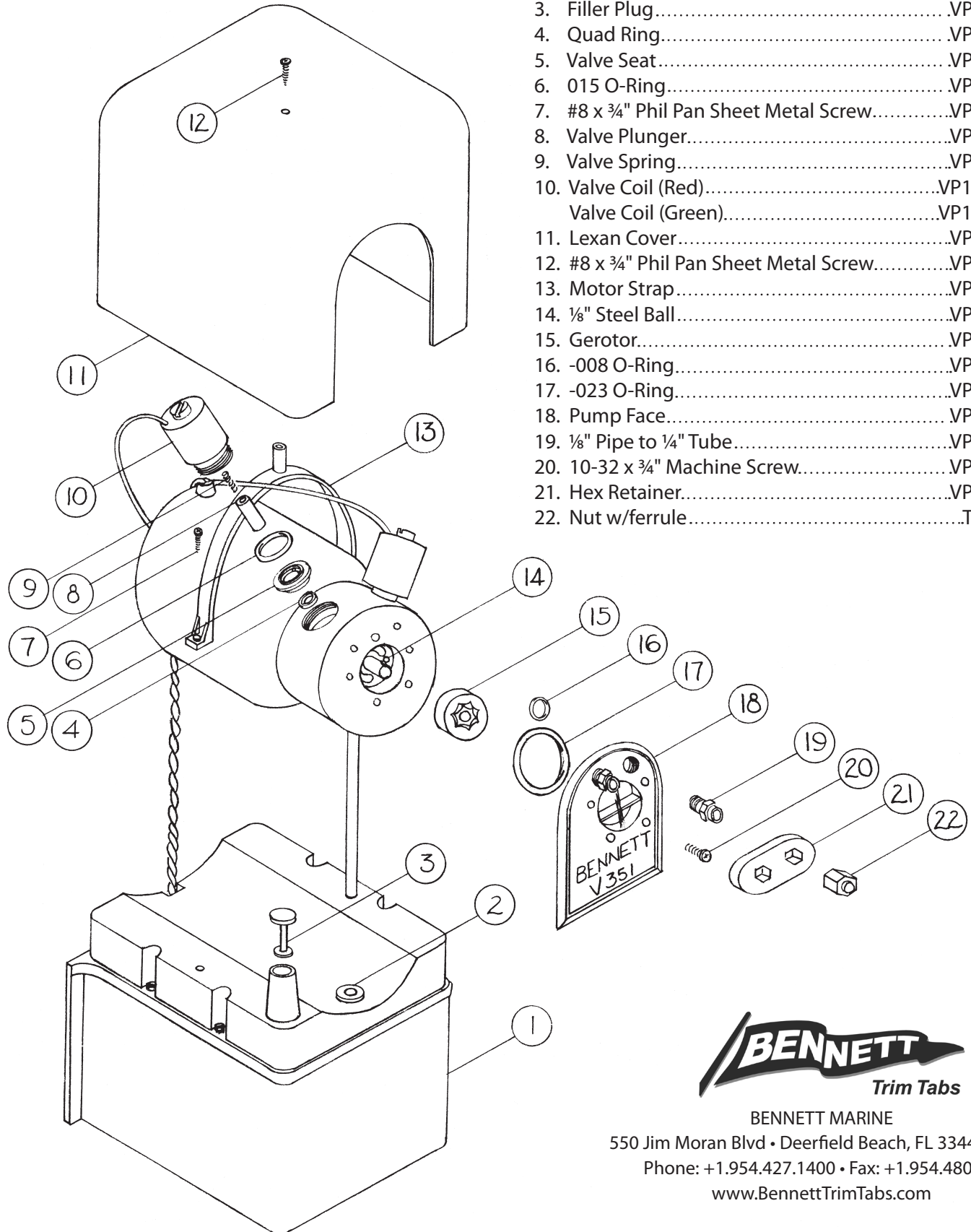


# HYDRAULIC POWER UNIT



Part Name	Part #
1. Reservoir.....	VP1139
2. Rubber Grommet.....	VP1162
3. Filler Plug.....	VP1140
4. Quad Ring.....	VP1158
5. Valve Seat.....	VP1159
6. 015 O-Ring.....	VP1155
7. #8 x 3/4" Phil Pan Sheet Metal Screw.....	VP1154
8. Valve Plunger.....	VP1161
9. Valve Spring.....	VP1160
10. Valve Coil (Red).....	VP1135R
Valve Coil (Green).....	VP1135G
11. Lexan Cover.....	VP1138
12. #8 x 3/4" Phil Pan Sheet Metal Screw.....	VP1154
13. Motor Strap.....	VP1142
14. 1/8" Steel Ball.....	VP1163
15. Gerotor.....	VP1164
16. -008 O-Ring.....	VP1157
17. -023 O-Ring.....	VP1156
18. Pump Face.....	VP1144
19. 1/8" Pipe to 1/4" Tube.....	VP1146
20. 10-32 x 3/4" Machine Screw.....	VP1165
21. Hex Retainer.....	VP1141
22. Nut w/ferrule.....	T1127



BENNETT MARINE  
 550 Jim Moran Blvd • Deerfield Beach, FL 33442 • USA  
 Phone: +1.954.427.1400 • Fax: +1.954.480.2897  
[www.BennettTrimTabs.com](http://www.BennettTrimTabs.com)