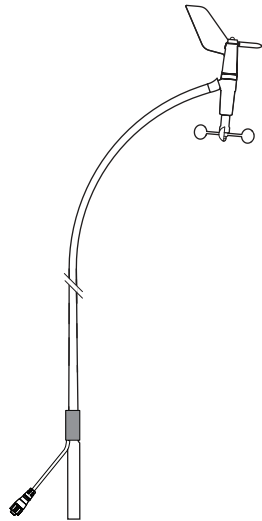
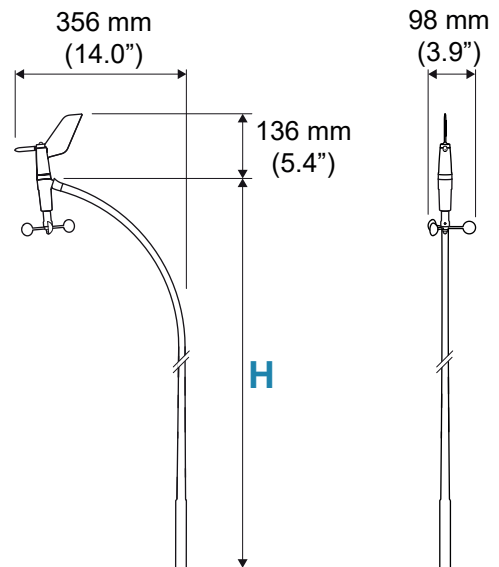




WS700 WIND SENSOR INSTALLATION GUIDE

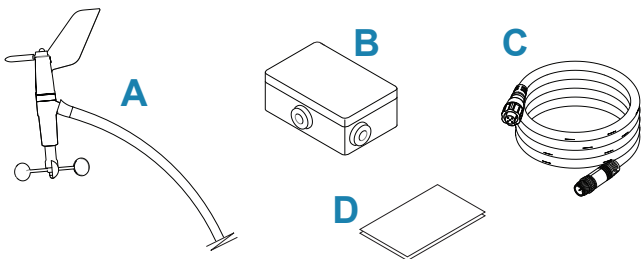


Dimensions



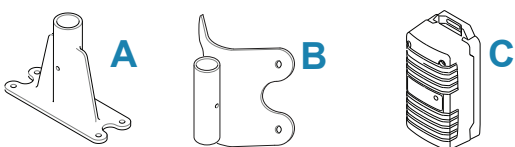
	H
WS710	0.8 m (32")
WS720/720S	1.1 m (42")
WS730/730S	1.4 m (57")
WS740S	1.8 m (71")

Parts included



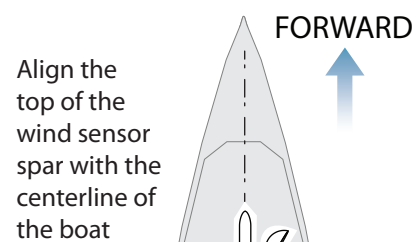
	Wind pack	Sensor only
A. WS700 wind sensor	x	x
B. Junction box	x	
C. Mast cable	x	
D. Documentation pack	x	x

Optional equipment



A. Mast top bracket
B. Mast face bracket
C. Interface module

Mounting



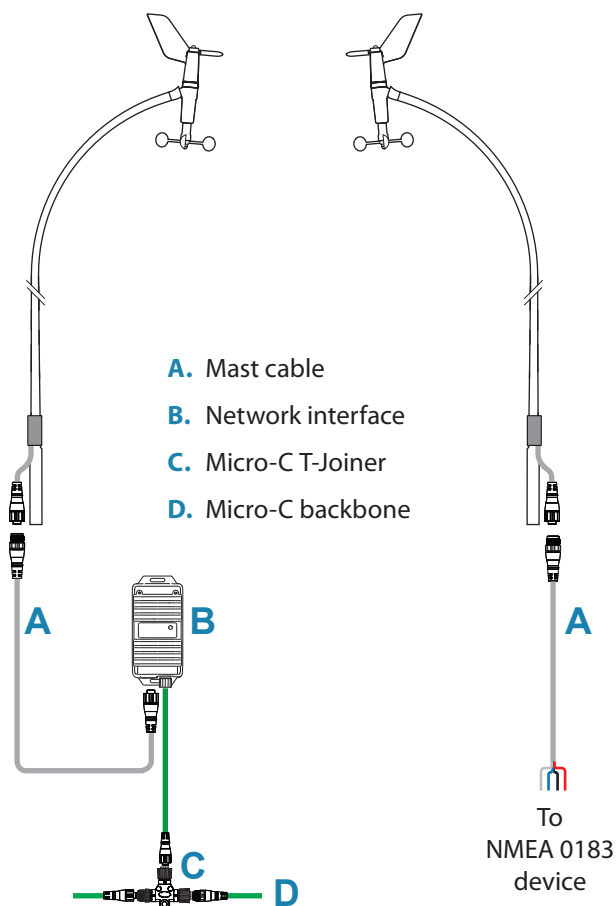
Technical specifications

→ **Note:** For the latest updated technical specifications and declarations, refer to the product website on www.bandg.com.

	WS710	WS720/720S	WS730/730S	WS740S
Wind range	0.5-90 knots			
Wind speed accuracy	+/- 0.2 knots (from 2-80 knots), 0.1 knot resolution			
Wind angle accuracy	+/- 0.5°			
Mounting options	Mast top or Mast face bracket (optional) *			Custom bracket
Cable options	20, 35, 50 or 80 m (66, 115, 164, 262')			
Supply voltage	12 V DC nominal (via interface or separate supply)			
Power consumption	15 mA at 12 V DC / <0.2 W			
Weight (without cable)	0.3 kg (0.7 lbs)	0.4 kg (0.9 lbs) / 0.5 kg (1.1 lbs)	0.5 kg (1.1 lbs)	0.6 kg (1.3 lbs)
Water resistance	IPx6			
Temperature				
Operating	-15°C to +55°C (5° F to 131° F)			
Storage	-20°C to +60°C (4°F to 140°F)			
Connectivity				
NMEA 2000	Via interface (optional)			
NMEA 0183	Sensor output: NMEA0183 MWV,R at 10Hz			

* The optional Mast face bracket is not suitable for **S** (Ocean Spec sensor) versions. These require custom bracket.

Wiring examples



Cable details

Cable color	Function
Red	+ 12 V DC (9 – 16 V DC)
Black	DC negative
Blue	TX_B
White	TX_A

Serial port setup

Receiving serial port setup:

Baud Rate	38400
Data Bits	8
Parity	None
Stop Bits	1

Compliance

Warning: The user is cautioned that any changes or modifications not expressly approved by the party responsible for compliance could void the user's authority to operate the equipment.

This product complies with:

- The requirements of level 2 devices of the Radiocommunications (Electromagnetic Compatibility) standard 2017.
- CE under EMC Directive 2014/30/EU