



Aerator Pump

Features

The new Mk2 range will provide more options, faster, easier service and installation, greater durability, and consistent product performance.

- **Multiple Installation Options** - The Mk2 is available with the all new 90-degree or straight inlet option, and features a 360-degree outlet that requires no sealant for easy installation.
- **Faster & Easier Serviceability** - Tsunami Mk2 offers a true single-handed serviceable motor cartridge with improved grip, making servicing or replacing faster and easier.
- **Backwards Cartridge Compatibility** - Mk2 cartridges are compatible with previous Tsunami models.



Certifications, Standards and Listings

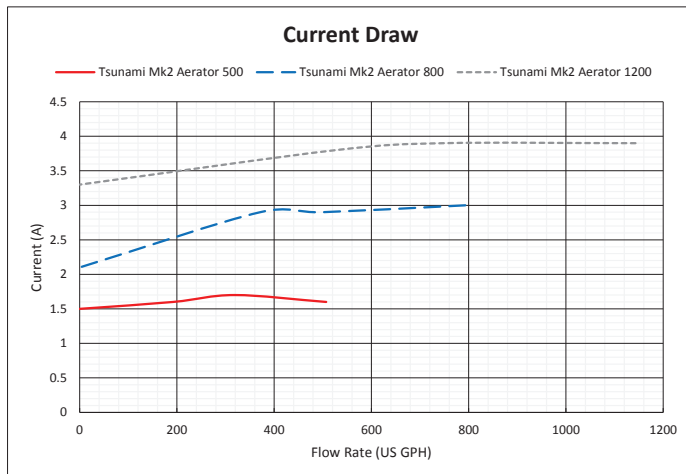
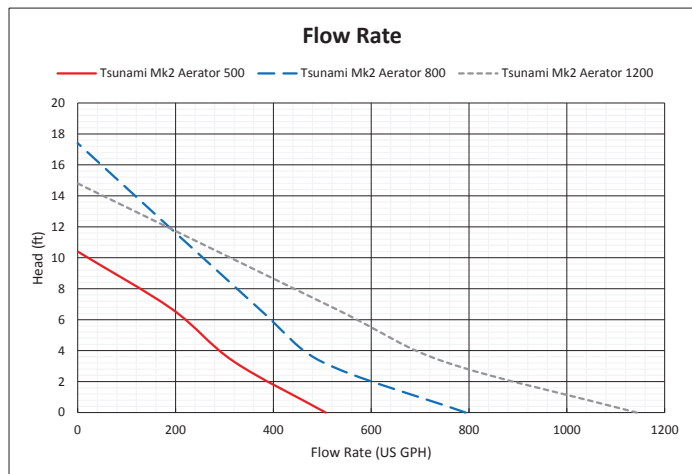
The Tsunami Mk2 pumps meet or exceed the following U.S. and international standards

- IP Rating: IP68
- Ignition Protection Standards: ISO 8846 Marine
- Marine Electrical Wiring Standards: ABYC E-11, ISO 10133
- Approvals: NMMA "As approved Listing" 500 Aerator – 2619644, 800 Aerator – 2619645, 1200 Aerator – 2619646; CE; RCM; UKCA

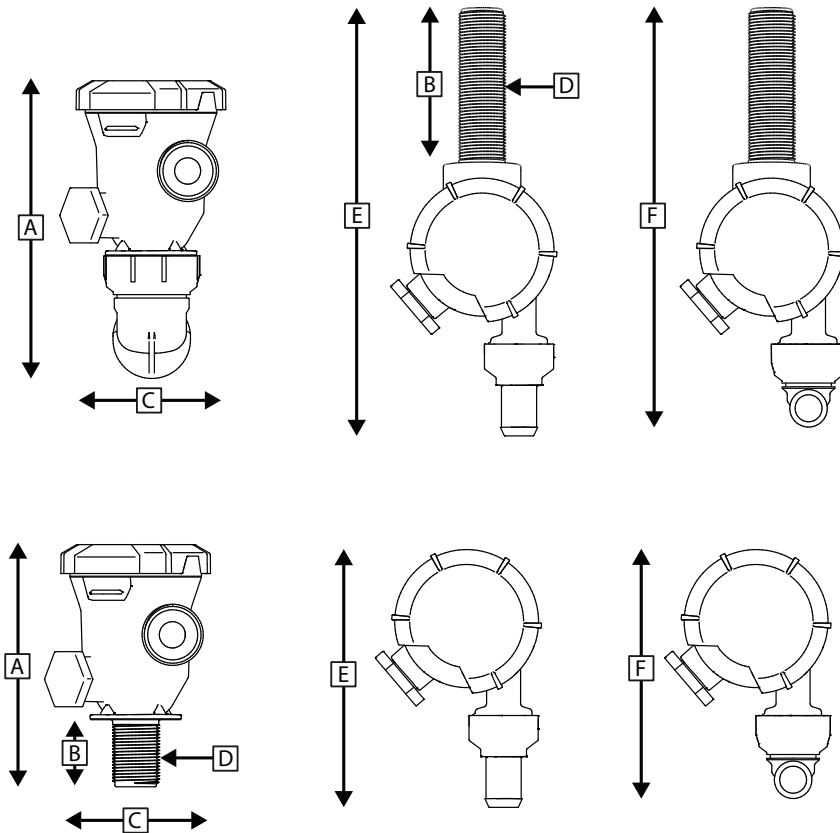
Materials

- PC/PBT Lid, Cartridge Body, and Pump Body, ABS Basket, PP (GF) Fittings, POM Fittings, PBT (GF) Impeller, SS316 Motor Shaft, Nitrile Seals

Model	Hole Saw Size	Amp Fuse	Outlet Diameter	ABYC Specifications 13.6-volts DC (GPH=Gallons Per Hour)			ISO Specifications 12.0-volts DC (LPH=Liters Per Hour)			Max Head (ft. @13.6v / m@12v)
				0 ft. Head GPH/amps	3.3 ft. Head GPH/amps	6.7 ft. Head GPH/amps	0m Head LPH/amps	1m Head LPH/amps		
564X / T500	1-1/8"	3A	3/4" barb	507 / 1.6	319 / 1.7	192 / 1.6	1764 / 1.4	1182 / 1.4	10.4 / 2.6	
565X / T800	1-1/8"	4A	3/4" barb	793 / 3	498 / 2.9	371 / 2.9	2694 / 2.5	2142 / 2.5	17.4 / 4.2	
566X / T1200	1-3/8"	5A	1-1/8" barb	1143 / 3.9	748 / 3.9	527 / 3.8	3912 / 3.3	3282 / 3.3	14.8 / 3.8	



Aerator Pump



Dimension			A	B	C	D	E	F
Aerator Model	Product Code		Height	Inlet Length	Width	Inlet Thread	Length with Straight Outlet	Length with Elbow Outlet
500	Long	5640	6.8" 172 mm	3.5" 88 mm	3.4" 86 mm	3/4 NPS	5.3" 134 mm	5.1" 129 mm
	Short	5641	4.8" 122 mm	1.5" 38 mm	3.4" 86 mm	3/4 NPS	5.3" 134 mm	5.1" 129 mm
	Seacock	5643	4.2" 106 mm	0.85" 21.6 mm	3.4" 86 mm	3/4 NPT	5.3" 134 mm	5.1" 129 mm
	Elbow	5644	6.1" 154 mm	3.5" 88 mm	3.4" 86 mm	3/4 NPS	9.3" 235 mm	9.1" 231 mm
800	Long	5650	7.4" 188 mm	3.5" 88 mm	3.7" 94 mm	3/4 NPS	5.8" 147 mm	5.6" 142 mm
	Short	5651	5.5" 138 mm	1.5" 38 mm	3.7" 94 mm	3/4 NPS	5.8" 147 mm	5.6" 142 mm
	Seacock	5653	4.8" 122 mm	0.85" 21.6 mm	3.7" 94 mm	3/4 NPT	5.8" 147 mm	5.6" 142 mm
	Elbow	5654	6.7" 170 mm	3.5" 88 mm	3.7" 94 mm	3/4 NPS	9.6" 244 mm	9.4" 239 mm
1200	Long	5660	7.5" 190 mm	3.5" 88 mm	3.8" 95 mm	1-3/8" UNF	5.5" 140 mm	5.8" 146 mm
	Short	5661	5.5" 140 mm	1.5" 38 mm	3.8" 95 mm	1-3/8" UNF	5.5" 140 mm	5.8" 146 mm
	Seacock	5663	4.9" 125 mm	0.9" 23 mm	3.8" 95 mm	1" NPT	5.5" 140 mm	5.8" 146 mm
	Elbow	5664	6.9" 175 mm	3.5" 88 mm	3.8" 95 mm	1-3/8" UNF	9.4" 238 mm	9.5" 242 mm