

## CHIRP-READY



## B765LH / B765LM Thru-hull

B765LH and B765LM are thru-hull, Chirp-ready transducers that are perfectly suited for smaller fishing boats. Both models deliver the performance of the larger transducers but in a compact package for smaller boats. The B765LH and B765LM each feature a great combination of a 300 W low-frequency ceramic and either a 600 W high-frequency or medium-frequency band ceramic for a wide range of depth capability and fish finding. The low-frequency band provides excellent depth penetration. The high-frequency band features a narrow beamwidth (15°-9°) for excellent target separation. The medium-frequency is perfect for more coverage under the boat and delivering excellent bottom detail.

The included high-performance fairing improves broadband performance at speeds over 30 knots (34 MPH).

### B765LH

#### Features:

- Depth and fast-response water-temperature sensor
- 300 W low-frequency, 600 W high-frequency
- Low frequency: 40 to 75 kHz
  - 32° to 21° beamwidth
  - Depth performance to 366 m (1,200')
- High frequency: 130 to 210 kHz
  - 15° to 9° beamwidth
  - Depth performance to 213 m (700')
- 115 kHz of total bandwidth from one transducer means great shallow and deep-water performance
- Covers popular fishing frequencies of 50 and 200 kHz plus everything else in the bandwidth
- Exclusive Xducer ID® technology

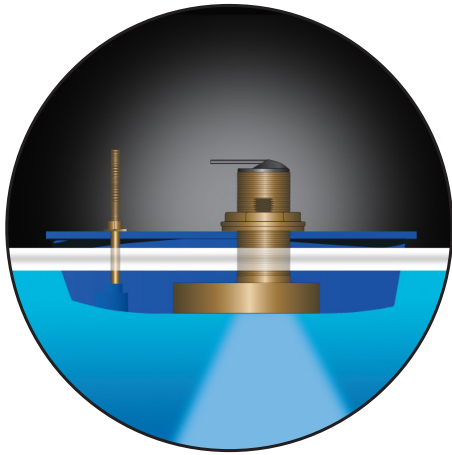
### B765LM

#### Features:

- Depth and fast-response water-temperature sensor
- 300 W low-frequency and 600 W medium-frequency
- Low frequency: 40 to 75 kHz
  - 32° to 21° beamwidth
  - Depth performance to 366 m (1,200')
- Medium frequency: 80 to 130 kHz
  - 24° to 16° beamwidth
  - Depth performance to 274 m (900')
- 85 kHz of total bandwidth from one transducer
- Covers popular fishing frequencies of 50, 88, and 107 kHz plus everything else in the bandwidth
- Exclusive Xducer ID® technology

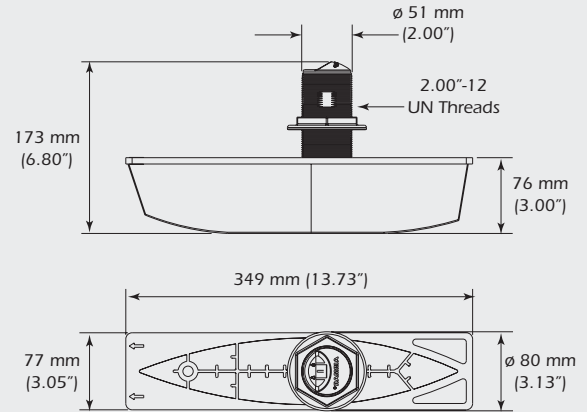
## SPECIFICATIONS

<b>Weight</b>	2.5 kg (5.5 lb)
<b>Recommended Boat Length</b>	Up to 9 m (30')
<b>Hull Material</b>	Fiberglass or wood
<b>Hull Deadrise</b>	Up to 24° with fairing
<b>Acoustic Window</b>	Urethane
<b>Hole Diameter</b>	51 mm (2")
<b>Includes</b>	High-performance fairing and mounting hardware

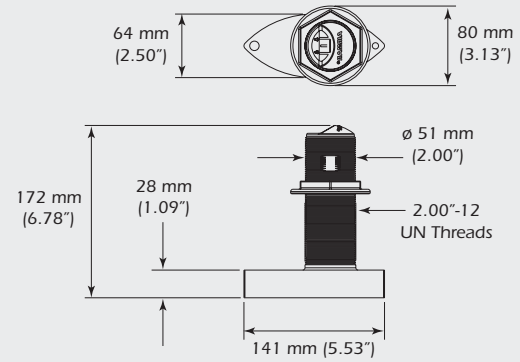


## DIMENSIONS

### Transducer with High-Performance Fairing



### B765LH / B765LM Transducer



[www.airmar.com](http://www.airmar.com)

©2021 Airmar Technology Corporation



B765LH B765LM\_rA 06/11/21

As Airmar constantly improves its products, all specifications are subject to change without notice. All Airmar products are designed to provide high levels of accuracy and reliability, however they should only be used as aids to navigation and not as a replacement for traditional navigation aids and techniques. Other company or product names mentioned in this document may be trademarks or registered trademarks of their respective companies, which are not affiliated with Airmar.

