

G2183



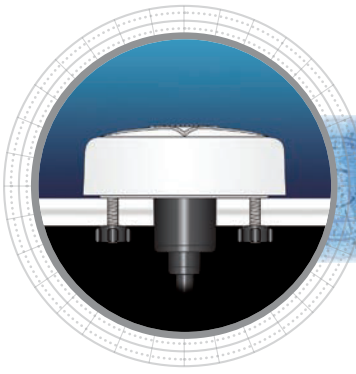
Reliable Position Accuracy

The G2183 is a high-accuracy, NMEA, WAAS/EGNOS, GPS antenna. It scores high in superior sensitivity for quick signal acquisition, reliable position accuracy, and accurate speed and course-over-ground readings. The G2183 can connect to both NMEA 0183 and NMEA 2000® networks that may be installed on the vessel, as the unit outputs both protocols simultaneously. It features a compact size that is easy to flush-mount, pole-mount, or rail-mount. The G2183 is designed for all marine environments, as the IPX6 waterproof housing can withstand virtually any condition Mother Nature throws at it.

GPS Sensor

Features

- WAAS/EGNOS GPS with 3 m (10') accuracy
- Provides:
 - Latitude and Longitude
 - Course Over Ground (COG)
 - Speed Over Ground (SOG)
 - Time and Date
 - Magnetic Variation
- Outputs NMEA 0183 and NMEA 2000® data simultaneously
- IPX6 waterproof enclosure
- Available as a combination GPS/Heading Sensor (GH2183)



Technical Information

SPECIFICATIONS

- Supply Voltage:** 9 VDC to 40 VDC *
- Supply Current:** <70 mA at 12 VDC
- Operating Temperature Range:** -25°C to 55°C (-13°F to 131°F)
- Storage Temperature Range:** -30°C to 70°C (-22°F to 158°F)
- GPS Satellite Tracked:** 12-channel (maximum)
- WAAS/EGNOS Satellites Tracked:** 2-channel (maximum)
- GPS Position Accuracy:** 3 m (10') with WAAS (95% of the time, SA off)
- GPS-Fix Update Rate:** 1 x per second
- Cold Start Acquisition:** 52 seconds
- Warm Start Acquisition:** 37 seconds
- NMEA 2000® Load Equivalency Number (LEN):** 5
- Certifications and Standards:** CE, IPX6, RoHS, IEC60945

DATA OUTPUT PROTOCOL

NMEA 0183 Sentence Structure

- \$GPDTM Datum Reference
- \$GPGGA GPS Fix Data
- \$GPGLL Geographic Position—Latitude and Longitude
- \$GPGSA GNSS DOP and Active Satellites
- \$GSGSV GNSS Satellites in View
- \$GPRMC Recommended Minimum Specific GNSS Data
- \$GPVTG Course Over Ground and Ground Speed
- \$GPZDA Time and Date

NMEA 2000® Supported PGNs

- 127258 Magnetic Variation
- 129025 Position and Rapid Update
- 129026 COG and SOG, Rapid Update
- 129029 GPS Position Data
- 129033 Time and Date
- 129044 Datum
- 129538 GNSS Control Status
- 129539 GNSS DOPs
- 129540 GNSS Sats in View
- 129541 GPS Almanac Data

* In support of 24VDC operation on NMEA 2000 networks

DIMENSIONS

