

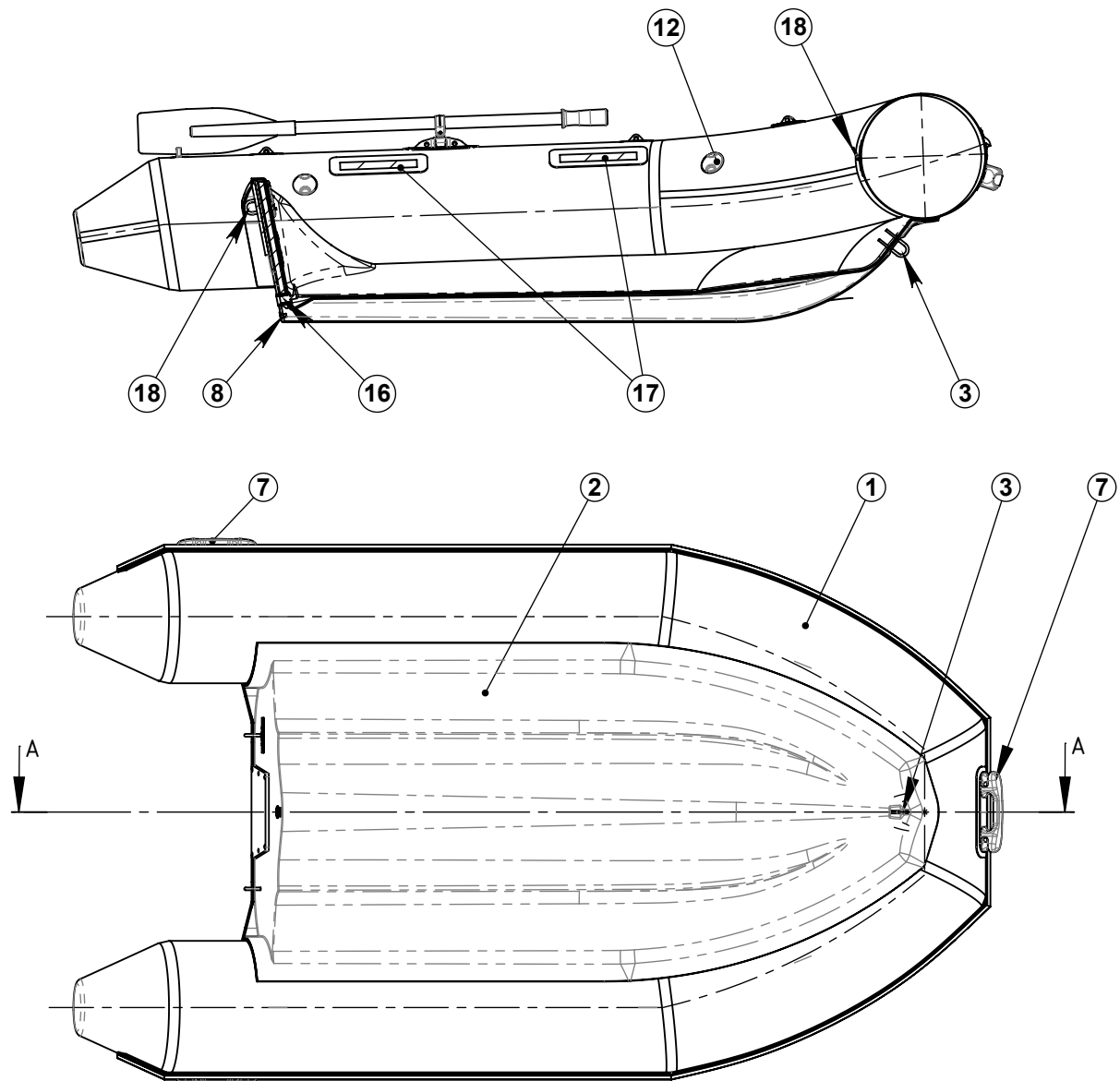
**Inflatable tube compartments:**  
 $V1=V2=0,192m^3$ ;  $V3=0,254m^3$  .

**Waterproof Rigid Hull:**  
 $V4=0,032m^3$  .

**Total  $V=0,670m^3$  .**

					<b>V250-00-000</b>		
Let	Cpan	N Docum.	Signat	Date	<b>Rigid inflatable boat V250</b>		
Project	Melnik						
Control	Gonchenko				Let	Mass	Scale
						1	1:20
					Sheet 1	Sheets 2	
Confirm	Burlakin				General View		<b>ADVENTURE</b>

SECTION A-A  
SCALE 1:20



- Standart equipment:**
1. Pump.
  2. Mooring line.
  3. Repair kit with the set of glue.
  4. Users manual.

- May be installed by the builder:**
1. Outboard engine.
  2. Fuel tank.
  3. Navigation lights.

		Melnik		
Let	Cpan	N Docum.	Signat.	Date

**250-00-000**

Sheet  
2

