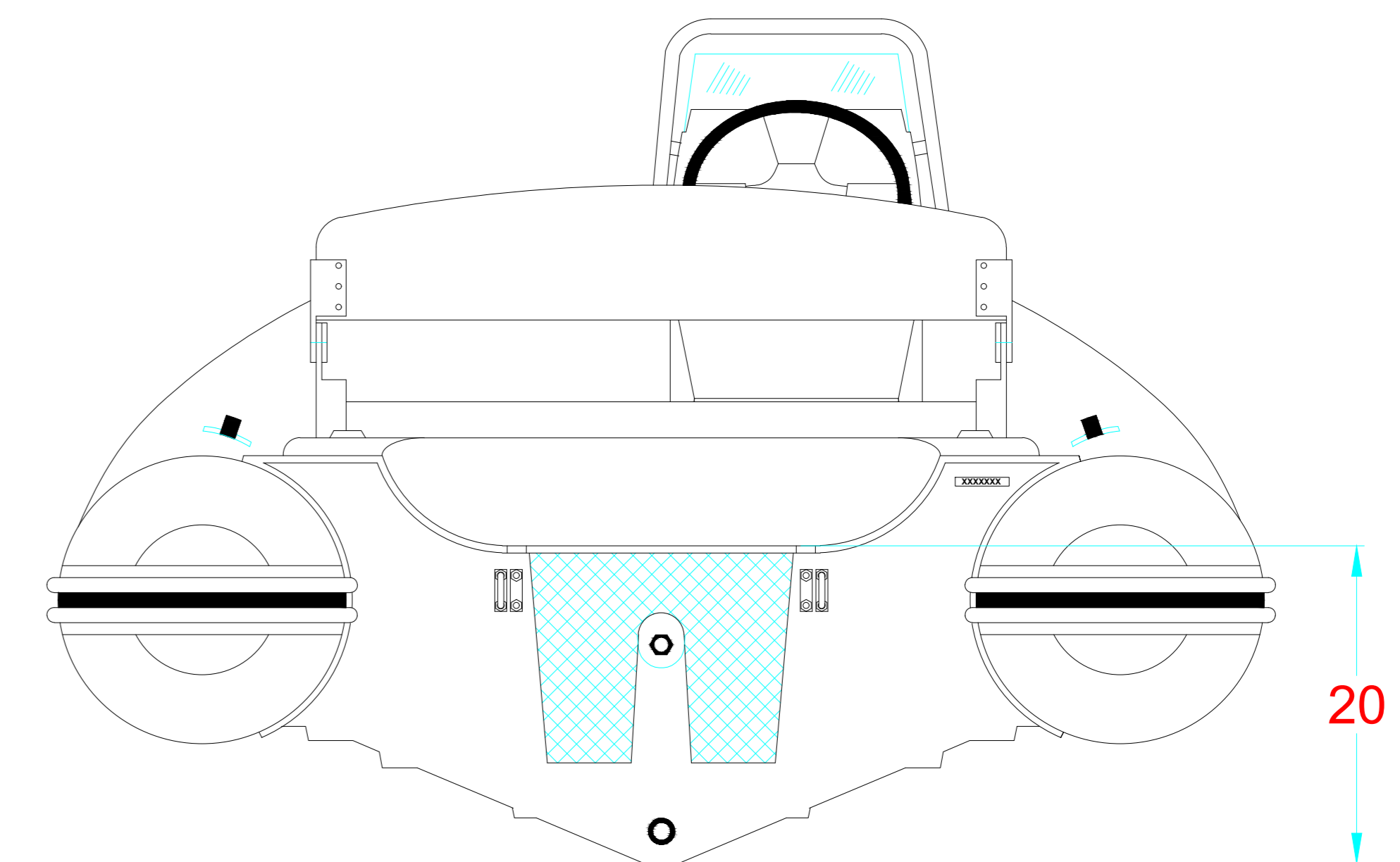
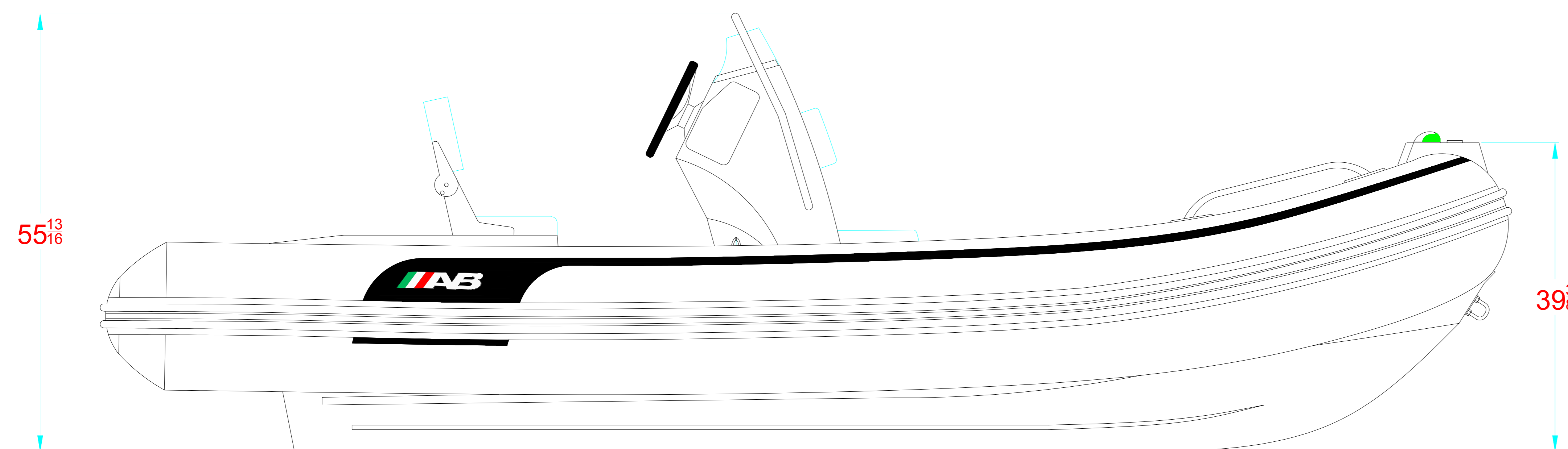


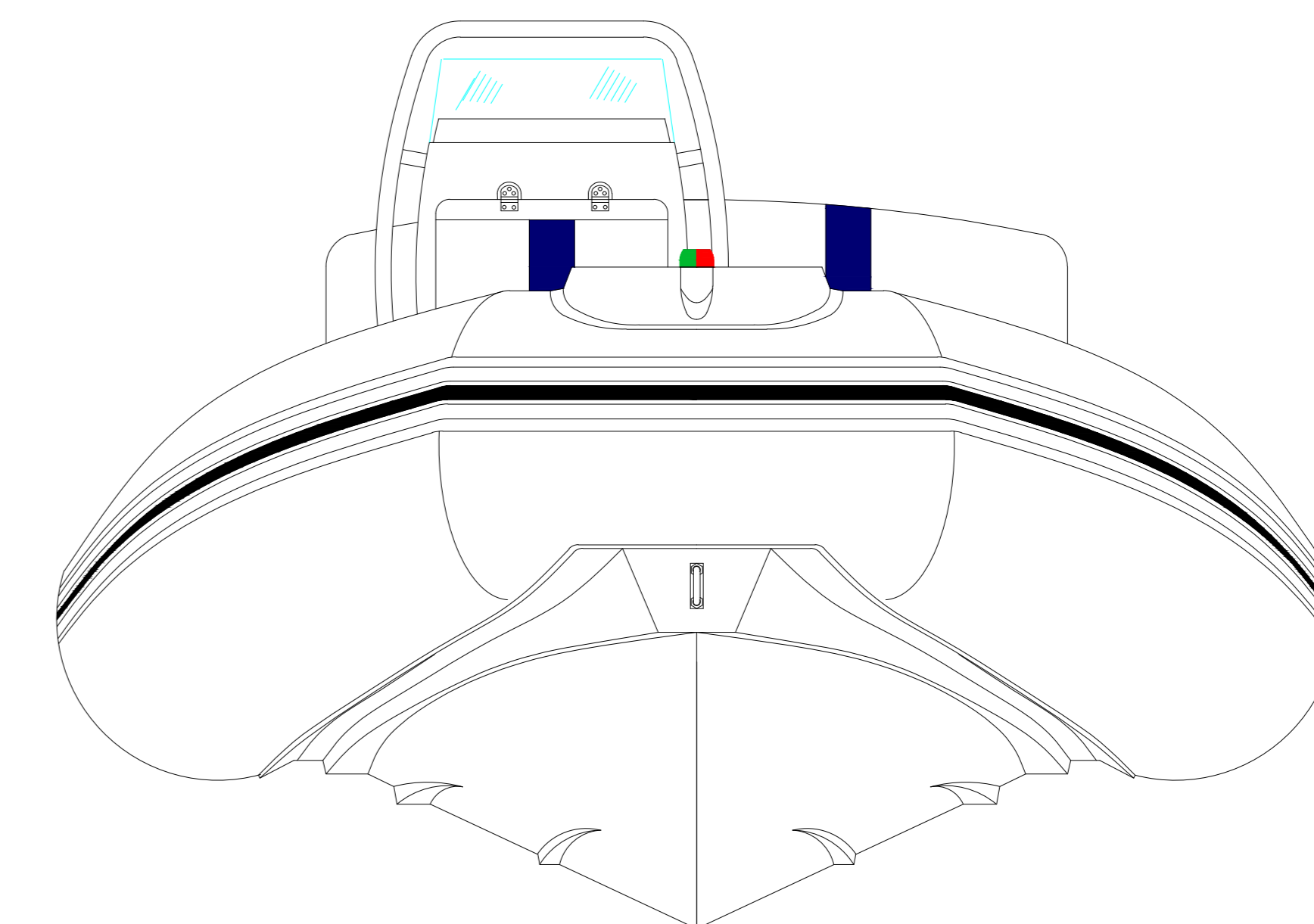
PLANT VIEW
VISTA SUPERIOR



AFT VIEW
VISTA TRASERA



LONGITUDINAL PROFILE
VISTA LATERAL




FORE VIEW
VISTA FRONTAL

MAIN PARTICULARS

MAXIMUM LENGHT/ESLORA MAX. _____ 15' (4.57m)
 MAXIMUM BEAM/MANGA MAX. _____ 6' 6" (1.99m)

NOTES: 1.-ALL DIMENSIONS IN INCHES
 TODAS LAS MEDIDAS ESTAN DADAS EN PULGADAS

SUBJECTED: ALEXANDER BARRIOS		TITLE: "OCEANUS 15 VST " GENERAL ARRANGEMENT ARREGLO GENERAL					
APPROVED: HERMES GARCIA		SCALE:	SHEET: 1/1	CODE:	PLAN:		
						DATE 14.06.21	DRAWN HECTOR SUAREZ
						DATE	APPROVED: