

# Plough anchors

## Kobra® anchor

The Kobra anchor bites into the seabed within seconds and has a very high holding power, thanks to its weighted tip and very broad shoulders.

The outstanding performance of the Kobra results from its particular geometric proportions, which allow you to select safely up to 2 sizes down compared to the usually recommended anchor weight.

- **Kobra 1 with folding shank (patented)**

Cleverly designed to be stored on the bow roller or stowed in the chain locker thanks to its collapsible shank. Its high holding power makes it ideally suitable for use as a picnic anchor, used in conjunction with a weighted mooring line. This reduces the effort necessary in the absence of windlass.



- **Kobra 2 with fixed shank.**

For winterizing, unbolt the shank before folding it. It will ease the storage of the anchor in its compartment. Before using the anchor again, relock the shank in position with a well gripped new nylock nut.

- **316 L stainless steel Kobra 2 anchor with fixed shank.**



stainless steel 316 L

High resistance galvanised steel :  
55 kg/mm<sup>2</sup>

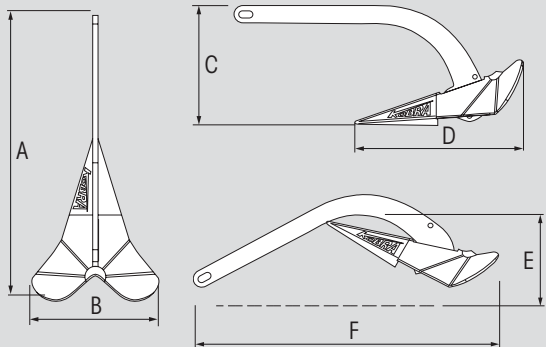


Unanimously acclaimed by the European boating press

"Our underwater footage proves the excellence of the design –the Kobra was the second-best anchor on test- and its behaviour in use was reassuringly predictable. It never failed to set, always digging in rapidly and burying itself well. It's **assuredly the winner of this test.** Taking into account the modest price tag, it's **excellent value-for-money.**"

Yachting Monthly - Nov 2009/Voiles & Voiliers July 2009

Kobra : test winner with German magazine Yacht on muddy and sandy bottoms.  
Yacht - August 2009



Kobra 1 : folded anchor, ready for storage in the chain locker.

Boat length	Model	Ref.	Weight		A mm	B mm	C mm	D mm	E mm	F mm	
			kg	lb							
4 m	KOBRA 1 folding galva	<b>39140</b>	2	4.4	408	182	168	238	132	441	
6 m		<b>39141</b>	4	8.8	523	236	218	310	170	567	
8 m		<b>37680</b>	6	13.2	592	270	247	359	190	638	
10 m		<b>37688</b>	8	17.6	640	294	265	388	205	693	
12 m		<b>37649</b>	10	22	698	322	290	424	222	758	
13 m	KOBRA 2 fixed galva.	<b>49223</b>	12	26.5	739	341	305	452	234	800	
14.50 m		<b>49226</b>	14	30.8	789	361	330	500	254	852	
16 m		<b>49229</b>	16	35.3	815	374	340	503	259	881	
18 m		<b>49296</b>	20	44.1	863	409	366	536	275	940	
20 m		<b>49304</b>	25	55.1	937	456	395	586	296	1023	
25 m		<b>49360</b>	35	77.2	1029	483	446	644	331	1121	
13 m		KOBRA 2 fixed st. steel	<b>56892</b>	12	26.5	739	341	305	452	234	800
14.50 m			<b>56893</b>	14	30.8	789	361	330	500	254	852
16 m			<b>56894</b>	16	35.3	815	374	340	503	259	881