

8900 Series Macerator Toilets

Simple Elegance. Unlimited Possibilities.



Model 8979
MasterFlush Toilet

One luxurious look - with many designer-friendly options.

That summarizes the distinct advantage of Dometic 8900 series macerator toilets powered with MasterFlush™ technology.

Dometic 8900 series toilets provide an abundance of features to satisfy diverse owner preferences and meet virtually any boatbuilder requirement. The contemporary shape features a compact footprint to fit in most any head compartment. 8900 series toilets include a “soft-close” seat action, and come in low-profile and standard-height units. Discriminating owners may choose from additional options: toilet or toilet/bidet combination unit; white or bone colors.

Dometic 8900 series macerator toilets offer two flush settings to help manage water use. The “Normal” flush setting consumes 0.85 gal. (3.2 liters) of water and adds a small amount of water to the bowl after every flush, and “Dry Bowl” flushing uses only 0.45 gal. (1.7 liters) per flush and does not add water to the bowl.

The ceramic styling of the Dometic 8900 series matches that of Dometic’s highly popular 4800 series VacuFlush® toilets. This advantage provides boat designers the added ability to offer choices in toilet technology across all boat model lines without altering the decor or floor plans of the baths.

Key Benefits

- Powerful macerator flush.
- Small footprint – fits in most any head compartment.
- Standard and low-profile heights.
- Through-the-floor and through-the-wall discharge fittings.
- Toilet only or toilet/bidet combination models.
- “Soft close” seat hinge.
- “Normal” or “Dry Bowl” flush options.
- Dometic electronic touchpad or popular Vimar and Gewiss switch options.
- 12 V DC or 24 V DC operation.
- Fits in same footprint as 4800 series VacuFlush® toilets.

Technical Specifications for 8900 Series MasterFlush™ Toilets

Model	Description	Voltage
8939	Low-profile macerator toilet	12 V DC
8930	Low-profile macerator toilet	24 V DC
8979	Standard-height macerator toilet	12 V DC
8970	Standard-height macerator toilet	24 V DC
8989	Standard-height macerator toilet/bidet combination	12 V DC
8980	Standard-height macerator toilet/bidet combination	24 V DC

Available in white or bone colors.
Specifications subject to change without notice.

Minimum System Requirements

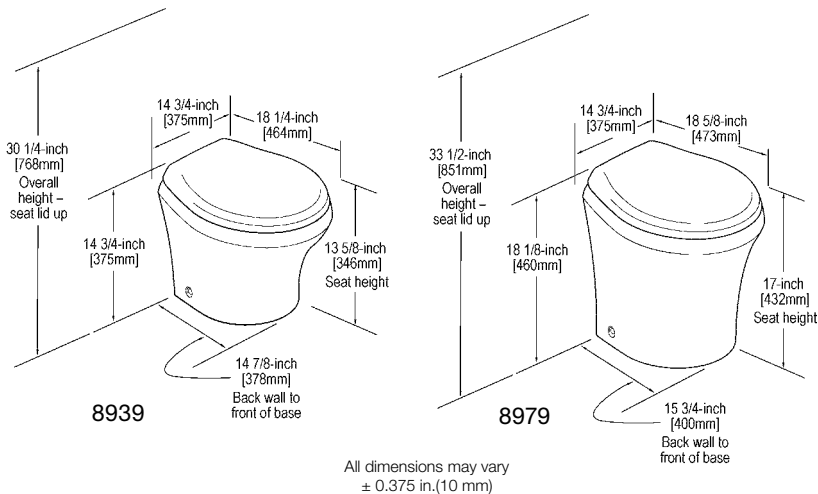
Electrical	Circuit breaker	20 amps/12 V DC; 15 amps/24 V DC
	Wiring	12 ga. (up to 20 ft./6.1 m from breaker)
Water Supply	Fitting	0.5 in. NPT
	Flow rate	2.0 gpm/7.6 lpm min. at toilet
Discharge	ID	1.5 in./38 mm or 1 in./25 mm minimum
	Horizontal run*	98 ft./30 m maximum
	Vertical run*	9.8 ft./3 m maximum
	Tank capacity	30 gal./114 liters recommended
Required Components	Electric flush switch**	Dometic, Vimar or Gewiss

* Horizontal and vertical run distances are not cumulative. Check for adequate discharge flow if installation nears one of these limits.

** Purchased separately.

Specifications subject to change without notice.

Dimensions



Flush Settings

Change from “Normal” to “Dry Bowl” flush option by pressing “flush” switch for about five seconds. When “power on” light begins flashing, release “flush” switch. Flush setting has been changed. Change back to “Normal” setting in the same manner.

DOMETIC CORPORATION, SANITATION DIVISION

13128 SR 226, PO Box 38 | Big Prairie, OH 44611 USA | 330-496-3211 | Fax 330-496-3097
www.Dometic.com | SeaLand@DometicUSA.com

Dometic Touchpad



Standard Dometic panel includes “add water” and “flush” functions, “power on” and “full tank” indicator lights. Also available in white.

Vimar Switches, Indicators



Add Water/ Flush Switch Full Tank/ Do Not Flush Indicator

Add Water/ Flush Switch Full Tank/ Do Not Flush Indicator

Gewiss Switches, Indicators



Add Water/ Flush Switch Full Tank/ Do Not Flush Indicator

Available in black only.

Dealer: