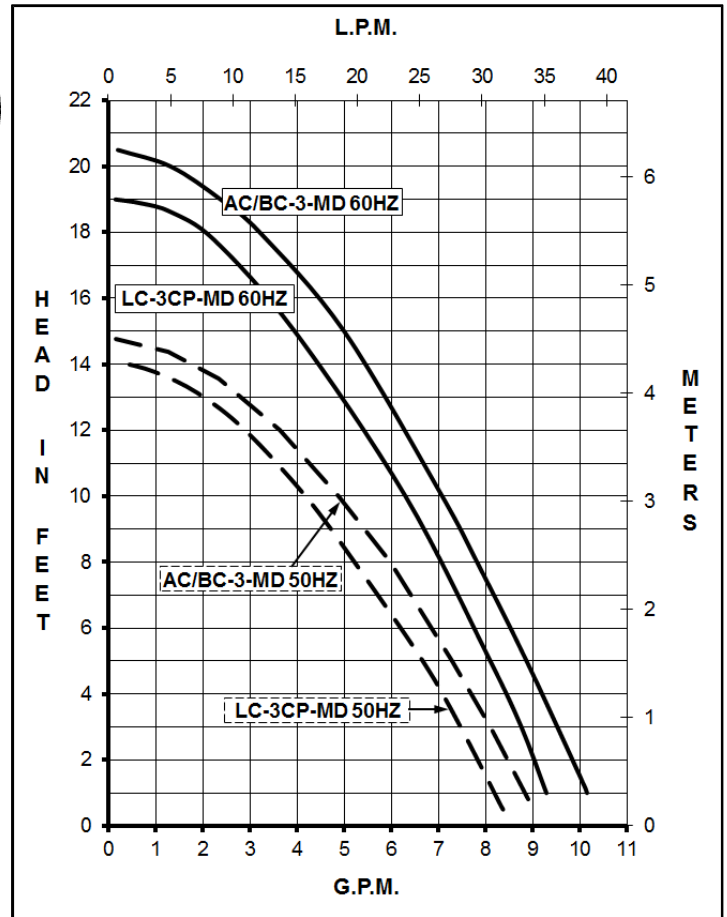
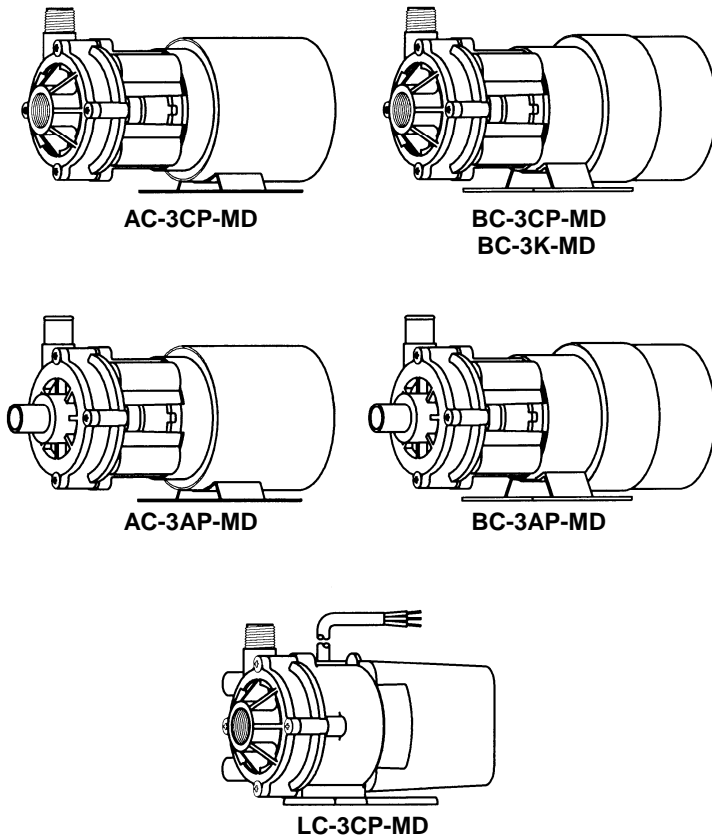




# MARCH PUMPS

1819 PICKWICK AVE., GLENVIEW, IL 60026-1306, U.S.A  
 PHONE: (847) 729-5300 - FAX: (847) 729-7062  
 WWW.MARCHPUMP.COM

**AC-3CP-MD, AC-3AP-MD**  
**BC-3CP-MD, BC-3AP-MD**  
**BC-3K-MD, LC-3CP-MD**



### MODEL ABBREVIATIONS:

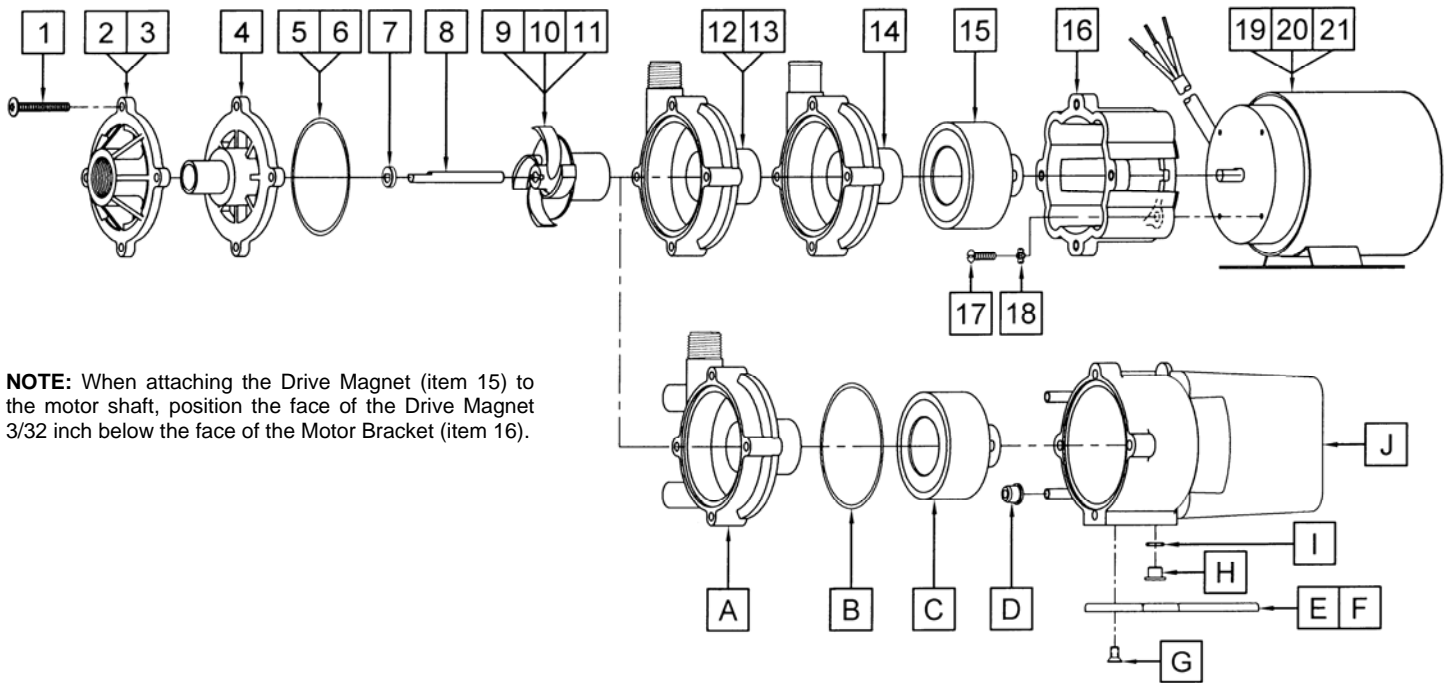
AC = Air Cooled Motor  
 BC = Blast Cooled Motor  
 LC = Liquid Cooled  
 C = Threaded Inlet/Outlet  
 A = Smooth Inlet/Outlet  
 K = Kynar, MD = Magnetic Drive

**DESCRIPTION:** Series 3 are centrifugal magnetic drive pumps, eliminating the need for a shaft seal. These pumps can be serviced with a screwdriver. The "LC" model is hermetically encapsulated which allows the pump to be run fully submerged or in open air for complete moisture protection. See the repair parts list for a breakdown of replacement parts.

**OPERATION:** These pumps are not self-priming, lack a suction lift, and thus require a **flooded suction**. These pumps **cannot be run dry** because the impeller requires the liquid being pumped for lubrication. For liquids with a specific gravity greater than water, have a higher viscosity, or for elevated temperatures, a trimmed impeller may be necessary. For application assistance, contact March Pump.

**ELECTRICAL:** Motors are available in different electrical configurations such as 115V 60Hz, 115V 50/60Hz, or 230V 50/60Hz, 1 phase. The AC-3-MD motor is open air cooled. The BC-3-MD motor is blast cooled. The motors are U.L. listed and rated as continuous duty.

SPECIFICATIONS			AC-3CP-MD	AC-3AP-MD	BC-3CP-MD	BC-3AP-MD	BC-3K-MD	LC-3CP-MD
Max Flow	50Hz	lpm	33			33		31
	60Hz	gpm	10			10		8.5
Max Head	50Hz	m	4.5			4.5		4.3
	60Hz	ft (psi)	20.5 (8.9)			20.5 (8.9)		19 (8.2)
Inlet			3/4" FPT	3/4" OD	3/4" FPT	3/4" OD	3/4" FPT	3/4" FPT
Outlet			1/2" MPT	3/4" OD	1/2" MPT	3/4" OD	1/2" MPT	1/2" MPT
Max Internal Pressure	psi		50			75		25
	bar		3.4			5		1.7
Max Liquid Temperature	°F		190			200		130
	°C		87			93		54
Packed Weight			3.1/7			3.8/8		3.85/8.5
Motor Type			Air Cooled 1 Phase			Blast Cooled 1 Phase		TE/SUB 1 Phase
115V	50Hz	Watts - Amps				143 - 1.8		137 - 2.36
		Kw - Rpm				0.049 - 2850		0.037 - 2850
	60Hz	Watts - Amps	150 - 2.3			134 - 2.1		120 - 2.0
		Hp - Rpm	1/15 - 3450			1/15 - 3450		1/20 - 3450
Electrical Connection			3 ft (0.9 m) Cord			6 ft (1.8 m) Cord		6 ft (1.8 m) Cord w/plug
Overall Pump Dimensions in Inches / cm	Height		5 / 12.7			5 - 12.7		4.87 / 12.3
	Width		3.91 / 9.9			4 / 10.1		4.75 / 12.0
	Length		8.12 / 20.6			8.77 / 22.2		7.38 / 18.7
Motor Type			Air Cooled 1 Phase			Blast Cooled 1 Phase		TE/SUB 1 Phase
230V	50Hz	Watts - Amps	141 - 1.0			141 - 1.0		100 - 1.0
		Kw - Rpm	0.049 - 2850			0.049 - 2850		0.037 - 2850
	60Hz	Watts - Amps	134 - 0.9			134 - 0.9		120 - 1.0
		Hp - Rpm	1/15 - 3450			1/15 - 3450		1/20 - 3450
Electrical Connection			6 ft (1.8 m) Cord			6 ft (1.8 m) Cord		6 ft (1.8 m) Cord
Overall Pump Dimensions in Inches / cm	Height		5 / 12.7			5 / 12.7		4.87 / 12.3
	Width		4 / 10.1			4 / 10.1		4.75 / 12.0
	Length		8.77 / 22.2			9.55 / 24.2		8.77 / 22.2



### REPAIR PARTS LIST

#	DESCRIPTION	MATERIAL	SIZE (Inches)	QTY	PART #	AC-3CP-MD	AC-3AP-MD	BC-3CP-MD	BC-3AP-MD	BC-3K-MD	LC-3CP-MD
1	Screw	Stainless	#10-32 x 1-1/2 Lg	4	0823-0008-1000	S	S	S	S	S	S
2	Cover	Polypropylene	3/4 FPT Inlet	1	0130-0021-1000	S	O	S	O		S
3	Cover	Kynar	3/4 FPT Inlet	1	0130-0111-1000					S	
4	Cover	Polypropylene	3/4 OD Inlet	1	0130-0064-1000	O	S	O	S		
5	"O" Ring	Buna N	3/32 CS x 2-13/16 OD	1	0130-0011-1000	S	S	O	O	O	S
6	"O" Ring	Viton	3/32 CS x 2-13/16 OD	1	0130-0033-1000	O	O	S	S	S	
7	Thrust Washer	Ceramic		1	0130-0028-1000	S	S	S	S	S	S
8	Shaft	Ceramic		1	0130-0024-1000	S	S	S	S	S	S
9	Impeller	Polypropylene/Ceramic Magnet		1	0130-0020-0100	S	S	O	O		S
10	Encapsulated Impeller	Polypropylene		1	0130-0069-0200	O	O	S	S		
11	Encapsulated Impeller	Kynar		1	0130-0112-0200					S	
12	Rear Housing	Polypropylene	1/2 MPT Outlet	1	0130-0018-1000	S	O	S	O		
13	Rear Housing	Kynar	1/2 MPT Outlet	1	0130-0110-1000					S	
14	Rear Housing	Polypropylene	3/4 OD Outlet	1	0130-0102-1000	O	S	O	S		
15	Drive Magnet			1	0130-0043-0200	S	S	S	S	S	
16	Motor Bracket	Plastic		1	0130-0066-0100	S	S	S	S	S	
17	Screw	Stainless	#8-32 x 5/8 Lg	4	0618-0027-1000	S	S	S	S	S	
18	Lock Washer	Steel	#8	4	0140-0014-1000	S	S	S	S	S	
A	Rear Housing & Plug Assy	Polypropylene	1/2 MPT Outlet	1	0130-0019-0100						S
B	Bracket "O" Ring	Buna N	3/32 CS x 3 OD	1	0130-0025-1000						S
C	Drive Magnet			1	0130-0043-0200						S
D	Cooling Tube Seal	Buna N		2	0125-0007-1000						S
E	Mounting Base	Polypropylene		1	0125-0037-1000						S
F	Marine Base w/Grommets*	Polypropylene		1	0125-0113-0100						O
G	Base Screw	Stainless		2	0130-0132-1000						S
G1	Marine Base Screw*	Stainless		2	0130-0146-1000						O
H	Plug (for Motor Bracket)			1	0125-0110-1000						S
I	"O" Ring	Viton	1/16 CS x 7/16 OD	1	0210-0008-1000						S
J	L.C. Epoxy Motor, Bracket, Cord Assembly			N/A	Not Available						S
19	AC Motor, 115V, 60Hz			1	0130-0022-1000	S	S	O	O	O	
20	BC Motor, 115V, 50/60Hz*			1	0130-0140-1000	O	O	S	S	S	
21	AC or BC Motor, 230V, 50/60Hz			1	0130-0049-1000	S	S	S	S	S	

NOTE: Contact Factory for other materials and/or parts not listed.

\*Not Shown

Legend: S = Standard, O = Optional

### MATERIALS IN CONTACT WITH SOLUTION:

AC-3CP/3AP-MD: Polypropylene, Buna N, Ceramic, Ceramic Magnet

BC-3CP/3AP-MD: Polypropylene, Viton, Ceramic

BC-3K-MD: Kynar/Carbon Filled, Viton, Ceramic

LC-3CP-MD: Cupric Nickel, Buna N, Ceramic, Ceramic Magnet.

When submerged the following additional materials are in contact: Epoxy, Stainless Steel, Ryton, & cord.

**NOTES:** All specifications & data are based on pumping water & are intended as a guideline only. Specifications may vary with different motors.

**LIMITED WARRANTY:** March pumps are guaranteed only against defects in workmanship or materials for a period of one year from date of manufacture pumping water. For the complete warranty and to register online go to [www.marchpump.com/warranty-registration](http://www.marchpump.com/warranty-registration)